



healthtec

Supporting you

1300 362 923

www.healthtec.com.au

FIXED HEIGHT RANGE

Adjustable Height Metal Plinth

Ideal for first aid rooms, as strapping tables or for general treatments and examinations allowing easy access to your patients

Similar specifications as our fixed height metal plinth, however the adjustable height plinth has legs that can be manually adjusted from 550mm to 800mm ideal for practitioners that share a working space. Optional drawer units can be fitted for extra storage capacity as pictured.

Also available with a single section top if required.



FEATURES

Powder coated steel frame

High quality anti-microbial vinyl & CFC free foam

Australian designed & manufactured

SPECIFICATIONS

SAFE WORKING LOAD 400kg

WIDTH 660mm

LENGTH 1930mm

FOAM 50mm

VINYL PVC (tested to AS1530.3)

WARRANTY Lifetime Structural



Shown with optional drawer unit.



The Healthtec Warranty

Healthtec offers a lifetime warranty on all our manufactured tables and a five year warranty on motors and foot switches from date of purchase. Original suppliers warranty applies.

ARTG 132667

© August 2018





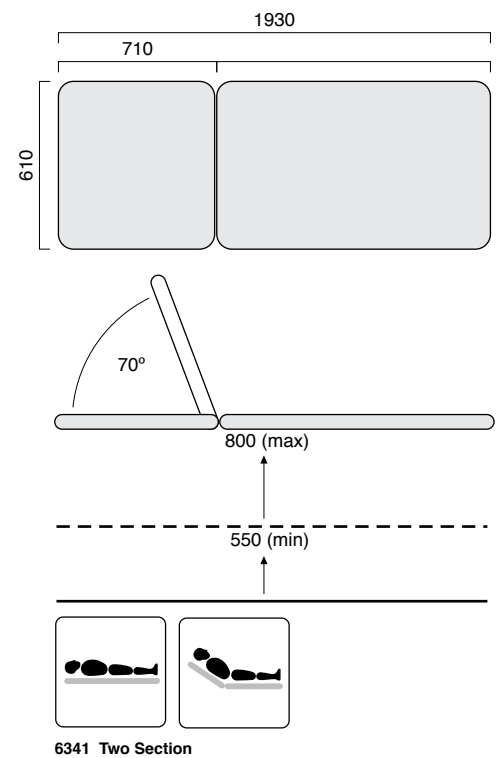
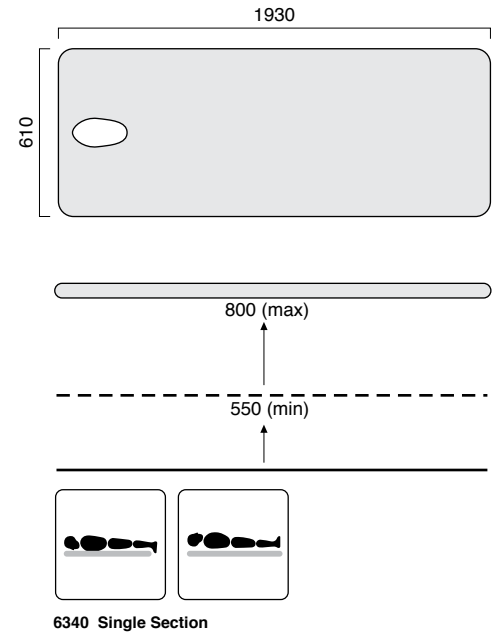
Supporting you

www.healthtec.com.au

PRICE SHEET

Adjustable Height Metal Plinth

	CODE	QTY
Product Description		
Adjustable Height Metal Plinth (660 wide) – Single Section	6340	
Adjustable Height Metal Plinth (660 wide) – Two Section	6341	
Width Options		
660mm Width Option	-65	
710mm Width Option	-71	
Custom Width Option	6014	
Foam & Vinyl Options		
75mm Comfort Foam	6005	
Non-Stock Vinyl Option	6018	
*please refer to our colour chart for vinyl colour options		
Nose Hole Options		
Nose Hole	6011	
Nose Hole Plug	6010	
Drawer Options		
Single Drawer Unit	6349	
Single Drawer Unit with Writing Tray	6348	
Table Protection		
Paper Towel Roll Holder	6017	
Freight		
Freight charges are not included in our prices. Please contact your Healthtec representative for freight costs and options.		
Shipping Dimensions	2040mm x 780mm x 190mm	
Shipping Weight	30kg (approximately)	



FRECALL
1300 362 923
 info@healthtec.com.au



Healthtec Pty Ltd ABN 94 224 518 379 ARTG 132667
 © August 2018

Disclaimer: Due to our policy of constant product improvement, specifications may change without notice. Check with us for the latest specifications and pricing.