

User Instruction Manual

Oxford® Presence

To avoid injury, read user manual prior to use.

Manuel de l'utilisateur

Oxford® Presence

Afin d'éviter tout accident, veuillez lire attentivement la notice avant utilisation.

Manual de Instrucciones

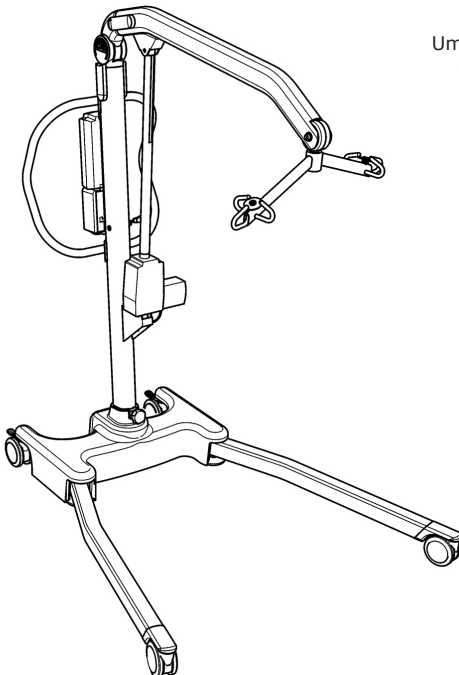
Oxford® Presence

Para evitar posibles daños, lea previamente el manual de usuario.

Benutzerhandbuch

Oxford® Presence

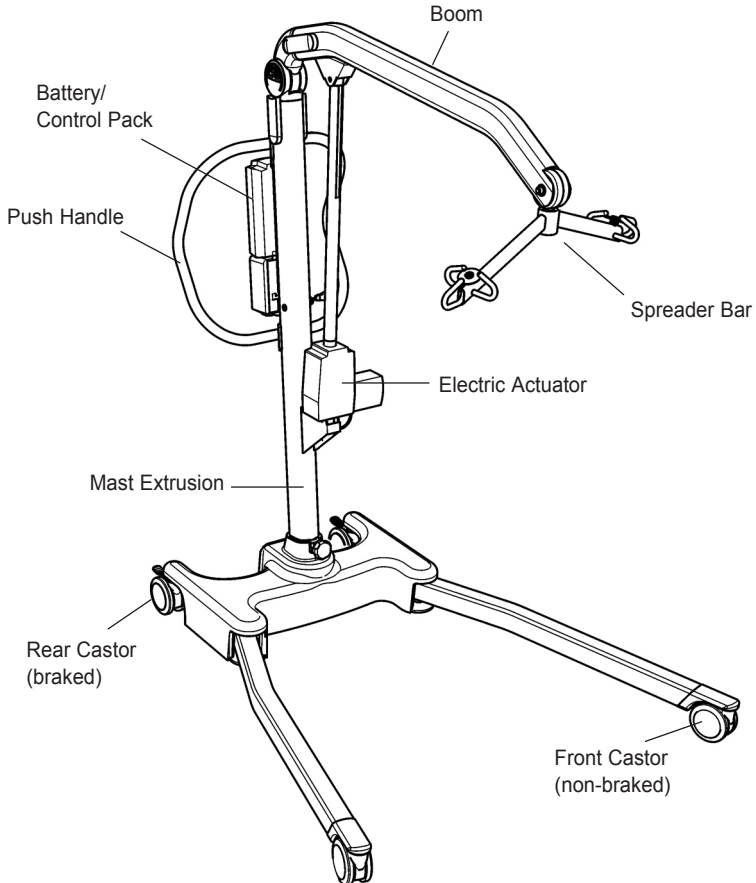
Um Verletzungen zu vermeiden, lesen Sie bitte die Gebrauchsanweisung vor der ersten Benutzung.



Contents

1. The Oxford Presence Patient Lift.....	3
2. Introduction: About Your Lift	4
3. Assembly and Commissioning Instructions	5
4. Safety Precautions	9
5. Smart Monitor & Handset.....	11
6. Operating Instructions	15
7. Removal of Spreader Bar/Cradle Systems	18
8. Charging Instructions	20
9. Maintenance Schedule.....	22
10. Technical Specifications.....	24
11. Warranty.....	27

1. The Oxford Presence Patient Lift



2. Introduction: About Your Lift

Each Presence lift is fully assembled, load tested and certified before being packed/shipped.

The packing consists of a strong, purpose built carton that is used for both export and domestic markets to ensure the safe arrival of the lift. A number of documents are supplied in a wallet, and packed with each lift and should be kept safely for future reference.

- TEST CERTIFICATE
- DEALER GUARANTEE CARD
- PACKING CHECK LIST
- USER MANUAL
- CUSTOMER SATISFACTION CARD

The TEST CERTIFICATE is an important document and should be kept for reference purposes.

To properly maintain your lift please refer to the maintenance schedule included in this document. If you are at all unsure what your country's servicing requirements are, please check with your dealer and/or a local government agency.

The CE mark: The Oxford Presence carries the CE mark and complies with the following EC directives:



- Medical Device Directive (93/42/EEC)
- EMC Directive (89/336/EEC)
- Low Voltage Directive (73/23/EEC)

Statement of Intended Use

The intended use of this lifting device is for the safe lifting and transfer of an individual from one resting surface to another (such as a bed to a wheelchair). Joerns Healthcare recommends that the transfer of a patient is fully risk assessed and conducted safely over a short distance only.

The Oxford Presence is suitable for patients in the SITTING, SITTING/RECUMBENT and RECUMBENT positions.

The Oxford Presence is an electrically operated patient lift, designed to support and promote safe patient handling and transfer for both the patient and carer.

The Oxford Presence lift incorporates a 6-point spreader bar as standard and is designed to be used in conjunction with the Oxford range of slings. A 4-point cradle option is available as an after-market accessory. The examples of slings suitable for use with this device are listed as follows:

- Oxford Quickfit
- Oxford Full Back
- Oxford Quickfit Deluxe
- Oxford Long Seat
- Oxford Access
- Oxford Comfort
- Oxford Silkfit

Expected Service Life

Oxford Professional lifts are designed and tested for a minimum service life of ten (10) years, subject to the use and maintenance procedures stated in this manual. Use, other than in accordance with these instructions, may compromise service life.

3. Assembly and Commissioning Instructions

Carton Contents

Place the carton in a clear working area and open carefully. The carton contains:

- OXFORD PRESENCE LIFT
- WALLET CONTAINING DOCUMENTS
- HAND CONTROL
- BATTERY PACK
- CHARGING LEAD
- DESK TOP CHARGER/STAND

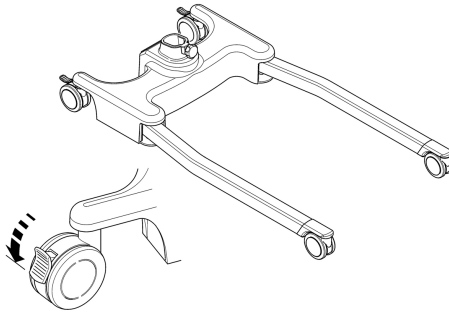
▲ WARNING

The Oxford Presence is heavy and will need to be lifted with care. You may need assistance to lift the Oxford Presence from the carton.

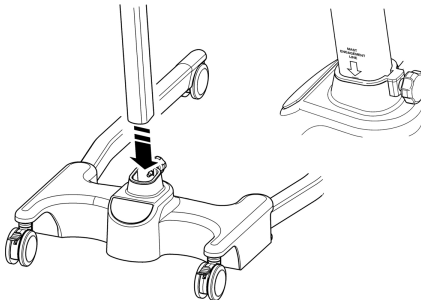
Assembly Instructions

1. Remove all the parts from the carton and place on the floor, taking care to protect the finish from damage.

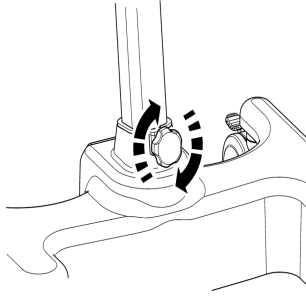
Place the chassis in a clear space and apply the rear brakes.



2. Fit the mast and boom assembly into the chassis socket



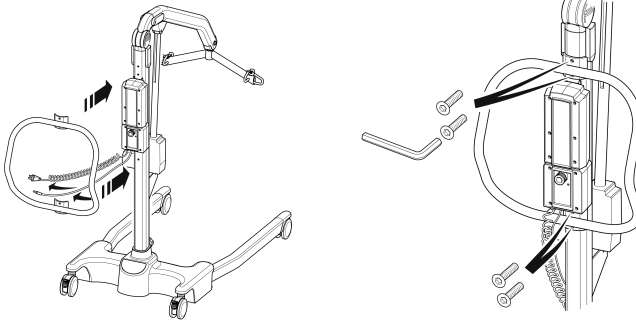
3. Tighten the mast assembly with the mast-locking device, which is located at the front of the chassis.



⚠ WARNING

Avoid trapping fingers. Keep fingers away from the end of the mast when inserting into the chassis socket. Full engagement of the mast is indicated by the label on the side of the mast. The electric leg operation will not function unless the mast is fully engaged.

4. Turn the locking knob until hand tight.
 5. Line the handle assembly up to the rear of the mast, and attach using the fixings provided. The fixings and wrench needed to attached the handle are kept in the user instruction wallet for safe keeping.
- NOTE:** When attaching the handle to the mast be sure that all trailing wires are left outside the handle before fixing.



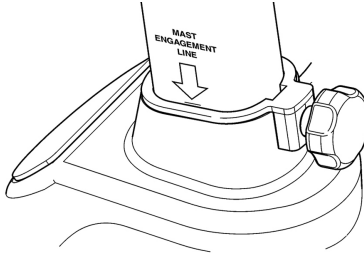
6. Fit power pack to the lift and make sure the latch holding the pack in place is fully engaged. "Click" in place.

DISASSEMBLY

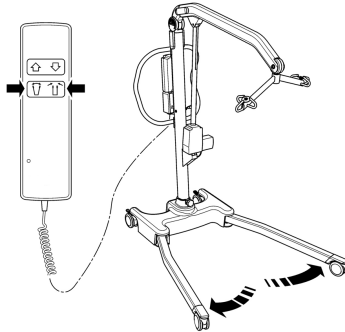
The lift should not be disassembled unless for service, repair or transport if necessary. If disassembly is required, simply follow the assembly instructions in reverse sequence.

ALWAYS CHECK THE FOLLOWING BEFORE OPERATION

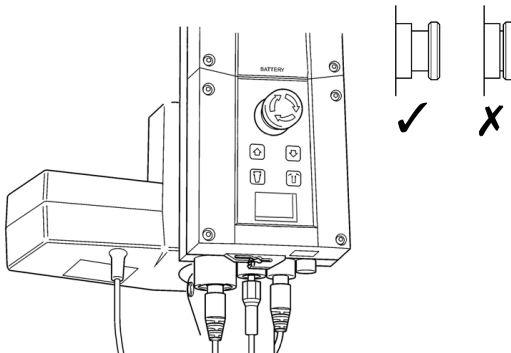
- The mast is fully locked into position.



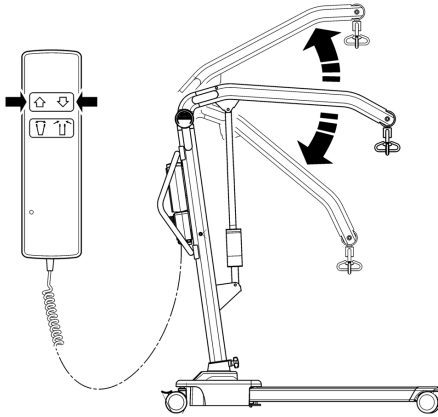
- The legs of the lift open and close satisfactorily (This is done via the hand control).



- The red emergency stop button, located on the rear of the control box, is in the OFF (out) position.



- Push the up and down buttons on the hand control and confirm the boom rises and lowers.



4. Safety Precautions

Please read and follow the safety precautions listed below. The operation and use of Oxford patient lifts is simple and straightforward. Following these few basic safety precautions will make lifting operations easy and trouble free.

READ AND UNDERSTAND THE USER INSTRUCTION MANUAL BEFORE USING THE OXFORD PRESENCE LIFT

WARNING: Important safety information for hazards that might cause serious injury.

CAUTION: Information for preventing damage to the product.

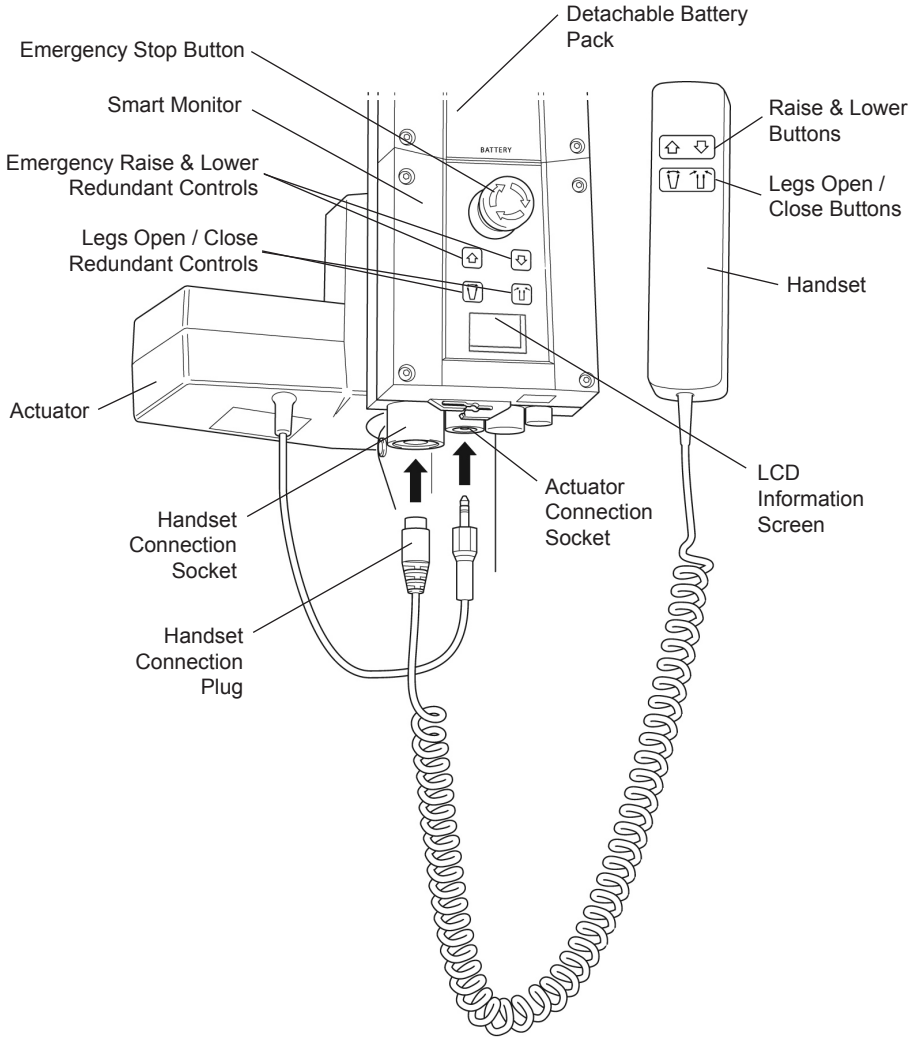
NOTE: Information to which you should pay special attention.

WARNING

- **ALWAYS** plan your lifting operations before commencing.
- **ALWAYS** carry out the **DAILY CHECK LIST** (page 22) before using the lift.
- **ALWAYS** familiarise yourself with the operating control and safety features of a lift before lifting a patient.
- **DO NOT** use a sling unless it is recommended for use with the lift.
- **ALWAYS** check the sling is suitable for the particular patient and is of the correct size and capacity.
- **NEVER** use a sling, which is frayed or damaged.
- **ALWAYS** fit the sling according to the instructions provided (user instructions).
- **ALWAYS** check the safe working load of the lift is suitable for the weight of the patient.
- **ALWAYS** carry out lifting operations according to the instructions in the user manual.
- **NEVER** disconnect or bypass a control or safety feature because it seems easier to operate the lift.
- **DO NOT** lift a patient with the castor brakes on. Always let the lift find the correct centre of gravity.
- **DO NOT** attempt to manoeuvre the lift by pushing on the mast, boom or patient.
- **ALWAYS** manoeuvre the lift with the handle provided.
- **ALWAYS** lower the patient to the lowest comfortable position before transfers.
- **DO NOT** push a loaded lift at speeds, which exceed a slow walking pace (3 Kilometers/hour 0.8 meters/second).
- **DO NOT** push the lift over uneven or rough ground. Particularly if loaded.
- **DO NOT** attempt to push/pull a loaded lift over a floor obstruction, which the castors are unable to ride over.
- **NEVER** force an operating/safety control. All controls are easy to use and do not require excessive force.
- The **MINIMUM** load required to manually lower the hoist using the mechanical emergency down function is 30 kg.
- **DO NOT** park a loaded lift on **ANY** sloping surface.

- **DO NOT** use electric lifts in a shower.
- **DO NOT** charge an electric lift in a bathroom or shower room.
- **DO NOT** lift a patient unless you are trained and competent to do so.
- **YOUR** lift is for patient lifting. **DO NOT** use it, or allow it to be used, for any other purpose.
- **DO NOT** bump the lift down steps, loaded or unloaded.
- **DO NOT** attempt to negotiate a loaded lift on a slope, which exceeds 1:12 (approximately 5 degrees).
- **DO NOT** attempt to negotiate a slope without a second helper being present.
- **ALWAYS** check the hoist is not charging before moving as the electrical connection may be damaged.

5. Smart Monitor & Handset



Intended Use

The Oxford Smart Monitor is a control system for Oxford Hoists. The Smart Monitor stores useful servicing information about the hoist that can be recalled when required. This servicing information includes:

- Number of patient lift cycles
- Total work done by actuator
- Number of lift overloads (attempted lifts above the safe working load)
- Number of days since last service interval

The Oxford Smart Monitor contains a microprocessor inside making it possible to read out service data via the on-board LCD screen.

Features

- Data collection in the control box with data display via LCD screen
- Work counter
- Intelligent cycle counter
- Service indicator
- Service interval indicator
- Overload information
- 3 step battery indicator




Benefits

- Improved safety for both patient and carer
- Accurate service data available at the touch of a button
- Optimised product life time
- Ease of maintenance for engineers and service technicians

LCD Display Screen

The Oxford Smart Monitor has the option to read out information via the LCD display screen. It is possible to read out total lifting cycles, total work done, overloads and number of days since last service, which can be used to quickly and easily evaluate the condition of the lift actuator.

This information is accessed by a ½ second press on the 'UP' button on the User handset or redundant 'UP' button on the Smart Monitor.

	12034	— Total Lifting Cycles
A*S	1257000	— Total Work Done (Amps * Seconds)
	7	— Number of Overloads
	90/180	— Number of Days (since last service) / Number of Days (between services)

Service & Usage Information



When it is time for a service, the service symbol will appear on the display. In addition, when the user handset is activated, the Smart Monitor will give an audible signal giving notice to users that a service is required.

The service symbol will be displayed each time the raise or lower keys are depressed on the User handset. When the service symbol is displayed, contact your authorised service provider immediately to arrange a service.

You may continue to use your lift for a short period of time until a service has been carried out.

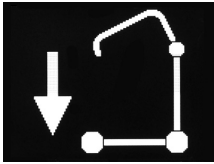


If the lift stops because of an overload (an attempt to lift more than the safe working load) the overload symbol will appear on the LCD display and the lift will cease to operate until the additional load (above the SWL) has been removed.

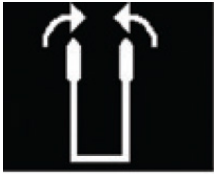
WARNING

If the LCD display screen on your Smart Monitor has recorded an overload, Joerns Healthcare recommend that ALL routine daily checks are carried out on the lift prior to further use (for a list of daily checks, please refer to your lift user manual). Joerns Healthcare also recommend that you contact your authorised Oxford service provider for additional guidance.

On-Board Redundant Controls

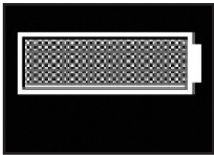


On-board redundant controls enable the lift to be raised or lowered in the event of an emergency.

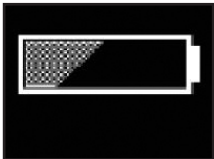


If your lift incorporates powered leg positioning, there are redundant controls to both open and close the legs.

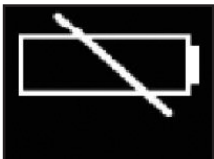
Battery Information



The display showing full battery means that the battery is fully charged and the lift is ready for use.



The display showing a half empty battery indicates that it is time to charge the battery.



The empty battery symbol showing on the display indicates that the battery has no capacity left and should be placed on charge immediately.

WARNING

To avoid possible permanent damage to the battery, the battery should be placed on charge as soon as the display indicates the half empty battery symbol.

6. Operating Instructions

1. Leg adjustment

The legs on the Oxford Presence are electrically adjustable for width. The legs can be opened to enable access around armchairs or wheelchairs. For transferring and negotiating narrow doorways and passages the lift legs should be in the closed position.

Electric leg adjustment - is achieved by pressing the appropriate buttons on the hand control. The legs will be locked whenever the hand control switch is released.

2. Castors and Braking

The lift has two braked castors which can be applied for parking. When lifting, the castors should be left free and un-braked. The lift will then be able to move to the centre of gravity of the lift. If the brakes are applied it is the patient that will swing to the centre of gravity and this may prove disconcerting and uncomfortable.

3. Raising and lowering the boom

The movement of the boom is achieved by a powerful electric actuator, which is controlled by a simple hand control unit. The hand control has two buttons with directional arrows UP and DOWN. The actuator stops automatically at the limit of travel in both directions. The hand control plugs into a socket at the base of the control box. There is a hook on the rear of the hand control, which allows it to be "parked" on the mast or boom when not in use.

4. Emergency Stop

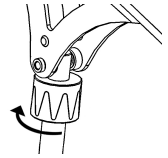
The red Emergency Stop Button is located on the front of the control box and is activated by pressing in. This will cut all power to the lift and only be reset by twisting the button anticlockwise and releasing.

5. Redundant controls

All Oxford lifts are fitted with raise and lower buttons on the control box. These are located underneath the emergency stop button and can be used to lower/raise the patient should the hand control fail.

6. Mechanical Emergency Down

In the case of a complete electrical failure the electrical actuator is fitted with a spring loaded mechanical lowering device (RED BOSS). This will only operate when the lift is under load. The device must be twisted by hand and released to activate. A slow decent will commence. Repeat this process until the patient has been safely lowered.



⚠ WARNING

If this feature is used, the lift MUST be subsequently checked out by a competent engineer.

7. Batteries

The batteries are protected from deep discharge by a LOW VOLTAGE ALARM. This will sound when the batteries need recharging and the hand control is being operated. It will not sound independently of the hand control being operated. CAUTION: DO NOT IGNORE THIS WARNING ALARM. Complete the lifting operation and place the lift on charge (see charging instructions).

⚠ WARNING

To avoid possible permanent damage to the battery, the battery should be placed on charge as soon as the display indicates the half empty battery symbol.

8. Slings

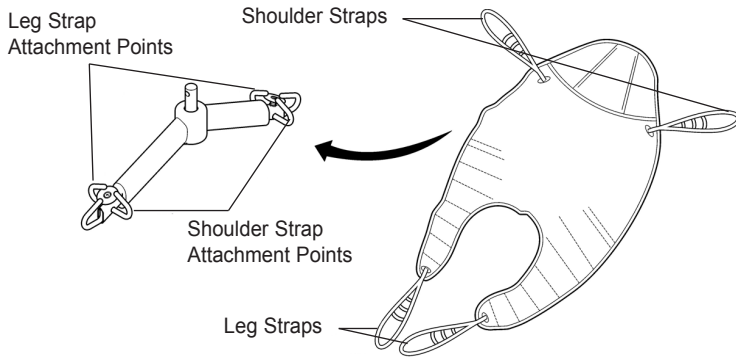
The Oxford Presence has the option of both a 6-point spreader bar and a 4-point positioning cradle. Both systems use different attachment methods and slings.

The 6-point system uses slings with webbing loops, which allow positioning adjustment by selecting different coloured loops. The 4-point cradle uses the Securi3 safety clip system and adjustment is made by rotating the 4-point cradle either upward or down.

Loop strap slings: Oxford Quickfit, Full Back, Quickfit Deluxe, Long Seat, Access and Silkfit

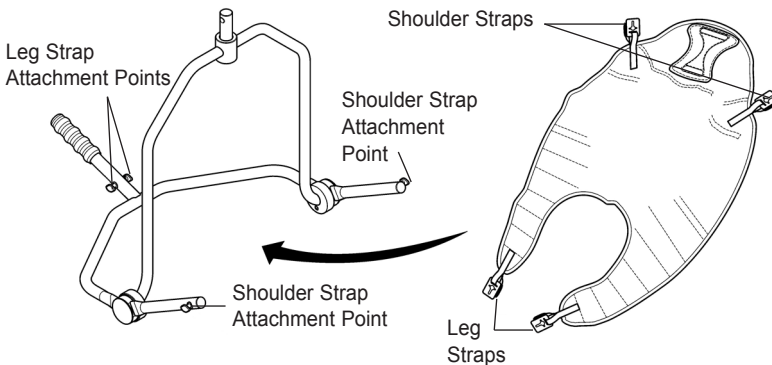
Safety clip slings: Oxford Comfort

The 6-point system attaches to the spreader bar hooks via loop straps (shown below), each sling is supplied with instructions. Please study the instruction guide before use.



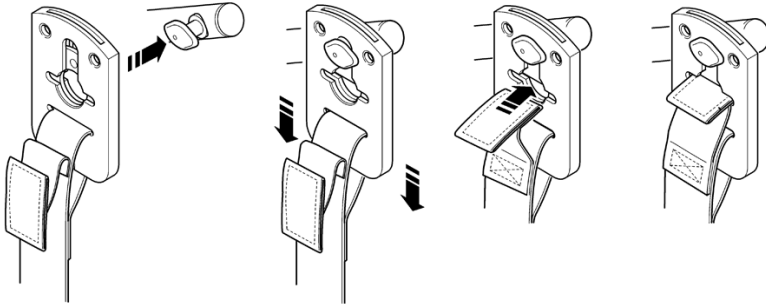
6-point spreader bar. Example of 6-point spreader bar sling with loop attachments.

The four point cradle sling attaches to the cradle studs via a safety clip system (shown below), each sling is supplied with instructions. Please study the instruction guide before use



4-point positioning cradle.

Example of 4-point cradle sling with safety clip system.



Securi3 sling attachment system. Example of installation.

NOTE: For detailed fitting instructions, please refer to the user guide supplied with each sling.

⚠ WARNING

Joerns Healthcare recommends that slings be checked regularly and particularly before use for signs of fraying or damage. **DO NOT** use slings that are worn or damaged.

⚠ WARNING

OXFORD RECOMMENDS THE USE OF GENUINE OXFORD PARTS. Oxford sling and lift products are designed to be compatible with one another. For country specific guidance on sling use and compatibility, please refer to the sling label or contact your local market distributor or Joerns Healthcare.

⚠ WARNING

Refer to maximum weight capacity of lift. Sling capacity is limited by the maximum capacity of the lift.

7. Removal of Spreader Bar/Cradle Systems

FOLLOW THESE INSTRUCTIONS EXACTLY

Your presence lift has the option of using both a 6-point spreader bar and 4-point positioning cradle. The removal of either of these systems is completed easily by the use of a quick-release pin. This is done quickly and easily, but you must read the following safety instructions to ensure the spreader bar/cradle is safely locked into position before use.

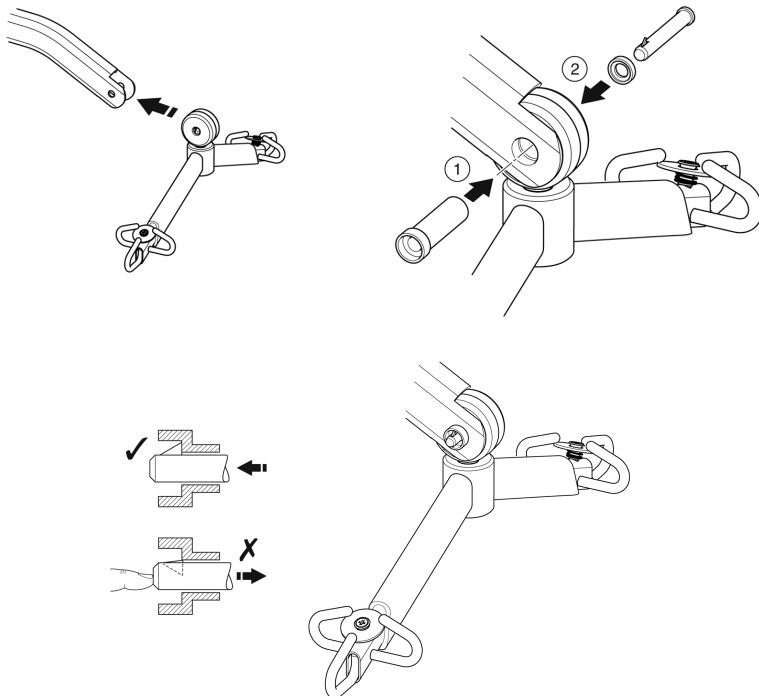
CONNECTION

To connect, raise the spreader bar/cradle up toward the boom slot.

Insert the pin sleeve through the plastic end cap and to support the spreader bar/cradle.

Once aligned in the boom slot reinsert the quick release pin fully into the sleeve until it locks into position. **YOU MUST CHECK THAT THE PIN IS SECURELY FITTED.**

To do this, press your finger into the barbed end. If the pin remains stationary the lift is safe to use.

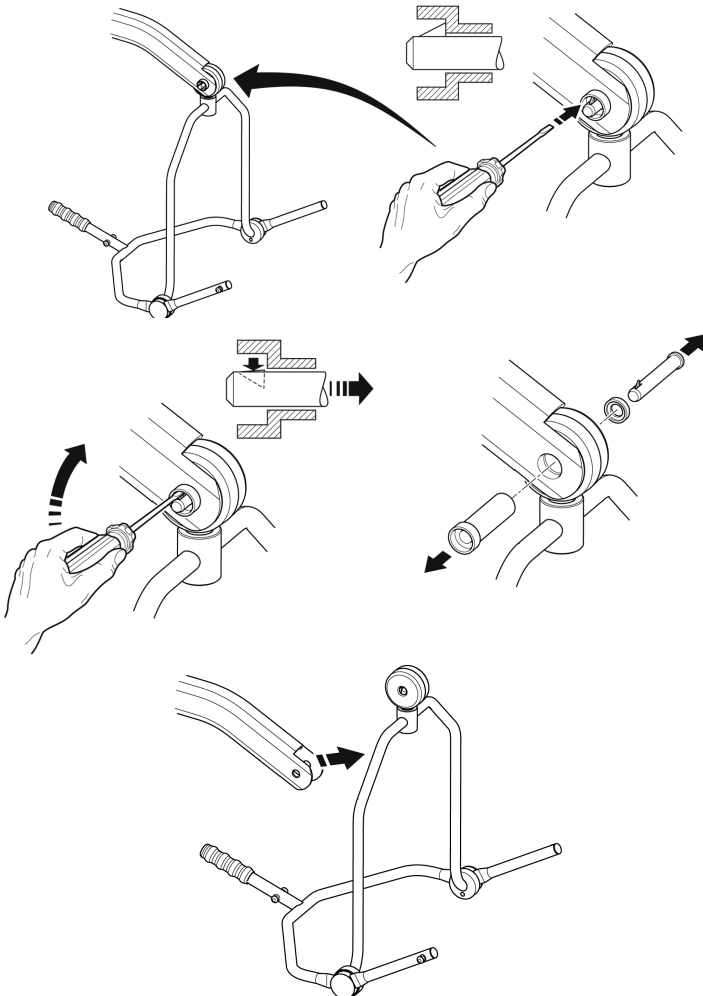


REMOVAL

CAUTION: Be sure to support the weight of the spreader bar/cradle before removing pin.

To detach pin, depress the spring barb (using a flat blade electrical screw driver or similar) and pull the pin out.

Support the spreader bar/cradle, and then pull the pin sleeve in the opposite direction, removing it completely from the boom. This will release the spreader bar completely.



8. Charging Instructions

When the power pack needs charging it is removed from the lift and fitted to an off board charging unit.

Joerns Healthcare recommend an additional battery pack is purchased, so that one pack can be on charge at all times.

1. Remove the power pack from the lift. The pack is retained by a simple latch at the top of the power pack. Lift the latch and the power pack will be released.
2. Fit the power pack to the charging unit. The location and latching of the power pack to the charger is the same system as used on the lift.
3. Plug the charger mains plug into a suitable mains outlet and switch the mains supply ON.
4. Charging is automatic and will fully charge the batteries over a period of four (4) hours.

Note: Even if the charger is left plugged in for extended periods it will not allow the batteries to overcharge.

- a) Green Light - Indicates main power is on.
- b) Yellow Light - Indicates battery is charging.
- c) Battery will be fully charged when yellow light goes off.

Note: It is recommended that the battery be charged immediately upon receipt.

5. To return the lift to service, switch OFF the mains supply and remove the power pack from the charger. Fit the power pack to the lift and make sure the latch holding the pack in place is fully engaged. "Click" in place. The charging of Oxford electric lifts is simple and straightforward, but it is important to follow the charging instructions closely. Please pay particular attention to the following points, they will help you avoid problems with discharged batteries.

WARNING

- **The battery, charger, hand control and control box are NOT to be opened by unauthorised personnel. (Contact your distributor for warranty and repairs).**
- **DO NOT touch battery/charger terminals.**
- **KEEP the batteries fully charged. Place the battery on charge whenever it is not in use. If it is more convenient to do so, place on charge every night. The charger will not allow the batteries to overcharge.**
- **NEVER run the batteries completely flat. As soon as the audible warning sounds, complete the lifting operation in hand and place on charge.**
- **To avoid possible permanent damage to the battery, the battery should be placed on charge as soon as the display indicates the half empty battery symbol.**
- **NEVER store the battery for long periods without regular charging throughout the storage period.**
- **ALWAYS make sure the mains power to the charger is switched off before connecting or disconnecting the battery pack.**
- **NEVER leave the battery pack connected with the charger mains power switched off.**
- **DO NOT leave the charger switched on with the battery disconnected.**
- **DO NOT use the lift while charging is taking place.**

- **CHECK** the lift is not charging before moving as the electrical connection may be damaged.
- **NEVER** disconnect the charger plug by pulling on the cable.
- **BE CAREFUL** not to trip over the charge lead.
- **DO NOT** charge an electric lift in a bathroom or shower room.

9. Maintenance Schedule

All Oxford products are designed for minimum maintenance, however some safety checks and procedures are required. A schedule of DAILY tasks are detailed below. Daily checks and a six monthly service, inspection and test will ensure a lift is kept in optimum safe working condition. A list of spare parts is available upon request.

The LOAD TEST and certification should only be carried out by qualified personnel or an authorised service agent / dealer.

DAILY CHECK LIST: Joerns Healthcare strongly recommends the following checks be carried out on a daily basis and before using lift.

- MAKE sure the lift moves freely on its castors.
- MAKE sure the spreader bar is free to rotate and swing. Check the spreader bar is firmly attached to the boom.
- ENSURE the mast is fully engaged into the mast slot and the mast locking device is securely tightened.
- EXAMINE the sling hooks on the spreader bar and side suspenders for excessive wear. If in doubt - do not use.
- EXAMINE slings for fraying or other damage. DO NOT use any sling if damaged or if the sling shows signs of wear.
- MAKE sure the legs open and close correctly.
- OPERATE the hand control to confirm the boom raises and lowers satisfactorily.
- CONFIRM the lift is not giving a low battery alarm when the hand control is operated. If the alarm sounds DO NOT use and place on charge immediately.
- Check the operation of the emergency stop button.

MAINTENANCE, INSPECTION AND TEST

Joerns Healthcare recommend a thorough inspection and test of the Oxford Presence lift and lifting accessories, slings, scales etc is carried out on a regular basis. Inspection frequency varies depending on locality, so you must check with your dealer or local government agency as appropriate regarding how often an inspection is required. The examination and test should be conducted according to the recommendations and procedures provided in this manual. Joerns Healthcare recommends maintenance, inspection and certified testing is carried out by authorised service agent / dealers only.

NOTE: These recommendations are in compliance with the requirements of 1998 No2307 Health and Safety: The Lifting Operations and Lifting Equipment Regulations 1998. This is a UK regulation. Outside the UK please check your local country requirement.

***THESE CHECKS SHOULD INCLUDE:**

	Initially	Before Use	Service Intervals
1. SPREADER BAR: Check the spreader bar for freedom of rotation and swing. Check for wear on the central pivot. Check for firm attachment to the boom.	✓	✓	✓
2. BOOM: Check the attachment of the boom to the mast. Make sure there is only minimal side movement of the boom and the boom is free to rotate on the boom bearing.	✓	✓	✓
3. MAST: Check the operation of the mast-locking device. Make sure the mast fully engages into the socket. Check the bottom actuator.	✓	✓	✓
4. ACTUATOR: The actuator should require no maintenance other than checking for correct operation and listening for unusual noise.			✓
5. SMART MONITOR: Check the function of the emergency stop button. Inspect the hand control socket for correct fitting. Check functioning of the hand control. Check the redundant controls and confirm they operate as intended.	✓	✓	✓
6. BATTERIES: The batteries are housed in the power pack and should not require maintenance other than the regular charging as detailed in the charging instructions. Check that the connections remain clean.			✓
7. LEG ADJUSTMENT: Check the legs operate in both full extensions (inward/outward).	✓	✓	✓
8. CASTORS: Check all castors for firm attachment to the legs. Check for free rotation of the castor and the wheels.	✓	✓	✓
9. CLEANING: Clean with ordinary soap and water and/or any hard surfacem disinfectant. Harsh chemical cleaners or abrasives should be avoided as these may damage the surface finish of the lift. Avoid wetting any of the electrical parts.		✓	✓
10. LOAD TEST: The load test should be carried out in accordance with the manufacturer's test procedures. It is strongly recommended the testing is carried out by an authorised service dealer.			✓
11. BASE AND WHEELS: Ensure base is even and level (all four wheels are on the floor).	✓	✓	✓
12. SLINGS: Check for wear and fraying.	✓	✓	✓
13. LUBRICATION: Oil pivot joints, including mast and boom connections, pedal assembly, spreader bar joint (only if required).			✓
14. HAND SET: Ensure plugged fully into controller.	✓	✓	
15. QUICK RELEASE PIN: Ensure the pin is securely fitted before lifting, by pressing the barbed end.	✓	✓	
16. FIXINGS: Check all nuts, bolts, screws and fasteners for excessive wear and for tightness. Replace as required.			✓

10. Technical Specifications

Safe Working Load	500 lbs	227 kgs
Maximum Overall Length	57.5 inches	1460 mm
Minimum Overall Length	55.1 inches	1400 mm
Maximum Overall Height.....	81.3 inches	2065 mm
Minimum Overall Height.....	57.5 inches	1460 mm
Spreader Bar Maximum Height	75.2 inches	1910 mm
Spreader Bar Minimum Height.....	16.9 inches	430 mm
Height at Maximum Reach.....	51.5 inches	1310 mm
Reach at Maximum Height.....	25.6 inches	650 mm
Reach at Minimum Height.....	15.7 inches	400 mm
Maximum Reach*	36.6 inches	930 mm
Turning Radius	64.2 inches	1630 mm
Legs Open - External Width	45.2 inches	1150 mm
Legs Open - Internal Width	40.1 inches	1020 mm
Legs Closed - External Width	26.4 inches	670 mm
Legs Closed - Internal Width	21.6 inches	550 mm
Overall Height of Legs.....	4.7 inches	120 mm
Ground Clearance	1.4 inches	35 mm
Front Twin Castors	4 inches	100 mm
Rear Braked Castors.....	4 inches	100 mm

* Reach = centre of spreader bar to the front of the mast

4-point Positioning Cradle (measurement to top of location pins)

Cradle Max. Height.....	61 inches	1550 mm
Cradle Min. Height (usable)	15.4 inches	390 mm

Weights

Mast, Base & Boom Assembly.....	81.4 lbs	37 kgs
(includes 2 point spreader bar)		
Power Pack	6.6 lbs	3 kgs
Total.....	88 lbs	40 kgs
Base Assembly (not inc battery)	44 lbs	20 kgs
Mast & Boom (not inc battery)	37.4 lbs	17 kgs
4-point Position Cradle	13.2 lbs	6 kgs

All measurements are within a +5/-5 degree of tolerance.

ELECTRICAL SPECIFICATIONS:

BATTERIES.....	24 volt Rechargeable sealed lead acid type
BATTERY CAPACITY.....	3.2 Ampere hours
CHARGER RATED INPUT.....	100 - 240 V AC/ 50/60 Hz
CHARGER RATED OUTPUT.....	29.5 VDC, Max. 19 W

ELECTRIC SHOCK PROTECTION

CHARGER.....	CLASS II (EN 60601-1)
LIFT.....	INTERNAL POWER SOURCE

DEGREE OF SHOCK PROTECTION

CHARGER.....	TYPE B (EN 60601-1)
LIFT.....	TYPE B (EN 60601-1)

ENVIRONMENTAL CONDITIONS:

Outside this environment functionality and safety may be compromised.

OPERATING:

TEMPERATURE.....	5°C to 40°C
RELATIVE HUMIDITY.....	20% to 90% @ 30°C - not condensing
ATMOSPHERIC PRESSURE.....	700 to 1060 hPa

STORAGE:

TEMPERATURE.....	-10°C to +50°C
RELATIVE HUMIDITY.....	20% to 90% @ 30°C - not condensing
ATMOSPHERIC PRESSURE.....	700 to 1060 hPa

IP RATINGS

CONTROL BOX.....	IPX4
ACTUATOR.....	IPX4
OFF BOARD CHARGER.....	IPX5
BATTERY.....	IPX5
HANDSET.....	IPX5

DUTY CYCLES

ACTUATOR.....	10% (2 min./18 min.)
CHARGER.....	Approx. 4 hrs.

ACOUSTICS

A-Weighted sound power level.....	60 dB (A)
-----------------------------------	-----------

KEY SYMBOLS:

The following symbols are used on the charger, control unit and battery:



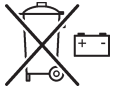
Type B equipment, as per EN 60601-1



Class 2 equipment



The disposal of the charging and control unit should not be mixed with general household waste.



The disposal of batteries should not be mixed with general household waste.



The disposal of electronics should not be mixed with general household waste.



For indoor use



ATTENTION, consult accompanying documents.

WEEE Producers registration number WEE/GG0464RZ

11. Warranty

Joerns Healthcare has an established network of authorised distributors and service agents who will be pleased to handle all of your purchasing, warranty, repair and maintenance enquiries. It is recommended that our products are commissioned by your authorised distributor or service agent.

The distributor or service agent operates the warranty programme, so it is important to keep a record of their name, address and telephone number so they can be contacted should any problem arise. If you are in any doubt as to where your lift was purchased, Joerns Healthcare can trace the supplier if you quote the serial number of the lift.

All warranty claims are subject to the correct use and maintenance in accordance with the user instruction manual provided with each lift. Damage caused by use in unsuitable environmental conditions or failure to maintain the product in accordance with user and service instructions is not covered. Your statutory rights remain unaffected.

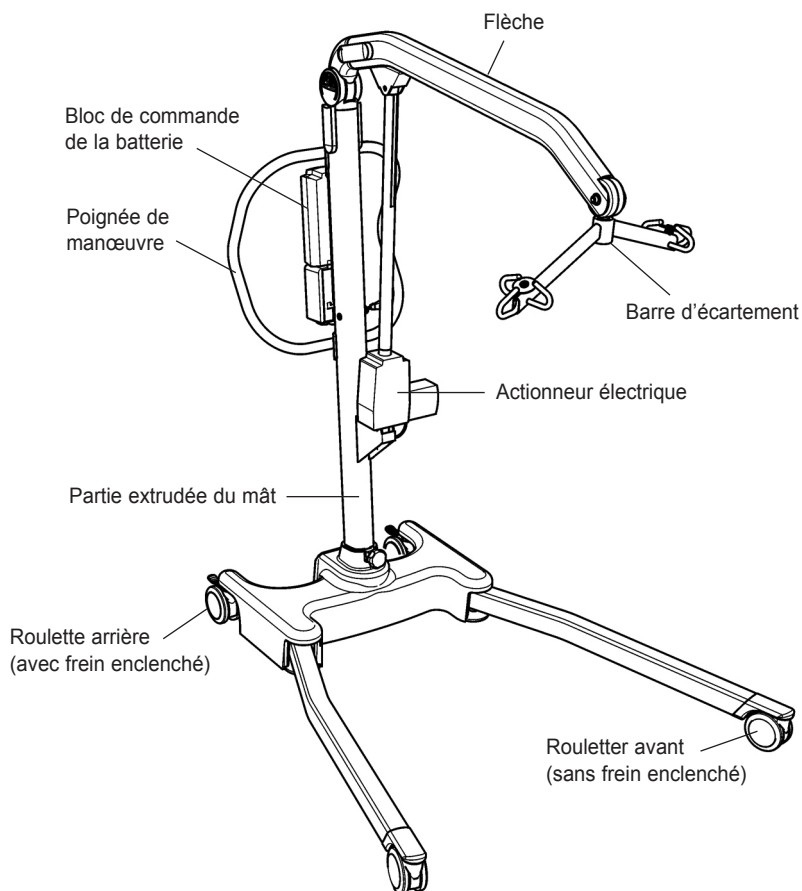
REMEMBER: Contact your authorised distributor or service agent for purchases, repairs, servicing and certified maintenance.

Your distributor:

Table des matières

1. Lève-personne Oxford Presence	29
2. Introduction: À propos de votre lève-personne	30
3. Instructions de montage et de mise en service	31
4. Consignes de sécurité.....	35
5. Moniteur Smart de commande manuelle	37
6. Instructions de fonctionnement	41
7. Dépose des systèmes de barres d'écartement / chassis à 4-points de fixation.....	45
8. Instructions de charge.....	47
9. Périodicité d'entretien et liste des vérifications quotidiennes.....	49
10. Spécifications techniques.....	51
11. Garantie.....	54

1. Lève-personne Oxford Presence



2. Introduction: À propos de votre lève-personne

Chaque lève-personne Presence est entièrement monté, soumis à un essai de charge et certifié avant d'être emballé / expédié.

L'emballage se compose d'une boîte en carton robuste construite spécialement pour les expéditions domestiques et les exportations et garantissant l'arrivée de l'appareil intact à destination. L'emballage de chaque lève-personne comprend une pochette contenant un certain nombre de documents qui doivent être conservés en lieu sûr au cas où ils devraient être consultés ultérieurement.

- CERTIFICAT D'ESSAI
- MANUEL D'UTILISATION
- CARTE DE GARANTIE DU REVENDEUR
- CARTE DE SATISFACTION

Le CERTIFICAT D'ESSAI est un document important qui doit être conservé dans votre dossier assurance. Il est valide pendant six mois et, après son expiration, le lève-personne doit être inspecté et entretenu selon le calendrier d'entretien.

Marque CE: L'appareil Oxford Presence porte la marque CE et il est conforme aux directives CE suivantes :



- Medical Device Directive (appareils médicaux) (93/42/EEC)
- Directive EMC (89/336/EEC)
- Directice relative aux basses tensions (73/23/EEC)

Declaración de uso al que está destinado

El uso previsto para este dispositivo es la elevación y transferencia seguras de un individuo de una superficie de descanso a otra (como de una cama a una silla de ruedas, por ejemplo). Joerns Healthcare recomienda que la transferencia de pacientes se lleve a cabo posteriormente a una evaluación de riesgos, y de manera segura, en una breve distancia solamente.

L'Oxford Presence est un lève-personne électrique, conçu pour soutenir et promouvoir la sécurité de la manipulation et du transport du patient pour le personnel soignant et le patient lui-même.

Le lève-personne Oxford Presence comporte un écarteur à 6 points d'ancrage d'ordinaire et est conçu pour être utilisé conjointement avec les harnais de la gamme d'Oxford. Un berceau à 4 points d'ancrage est disponible en option en tant qu'accessoire après-vente.

L'appareil Oxford Presence convient aux patients ASSIS, ASSIS / ALLONGÉS ET ALLONGÉS. Les sangles convenant pour l'utilisation de ce dispositif sont énumérés ci-dessous:

- Oxford Quickfit
- Oxford Access
- Oxford Full Back
- Oxford Comfort
- Oxford Quickfit Deluxe
- Oxford Silkfit
- Oxford Long Seat

Durée de vie prévue

Les lève-personnes Oxford Professional sont conçus et testés pour une durée de vie minimum de dix (10) ans, si les consignes d'utilisation et d'entretien énoncées dans le présent manuel sont respectées.

Toute utilisation non conforme aux consignes peut compromettre la durée de vie du matériel.

3. Instructions de montage et de mise en service

Placez la boîte sur une surface bien dégagée et ouvrez-la avec précaution. Elle contient:

- LÈVE-PERSONNE OXFORD PRESENCE
- UNE POCHETTE CONTENANT DES DOCUMENTS
- UNE COMMANDE MANUELLE
- BLOC BATTERIE
- FIL DE CHARGE
- CHARGEUR / SUPPORT POUR BUREAU

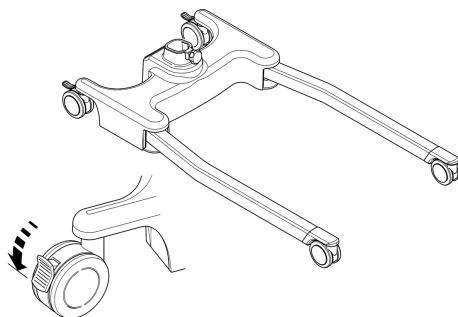
⚠ AVERTISSEMENT

L'appareil Oxford Presence est lourd et doit être soulevé avec précaution. Vous aurez éventuellement besoin d'aide pour soulever l'appareil Oxford Presence et le sortir de sa boîte.

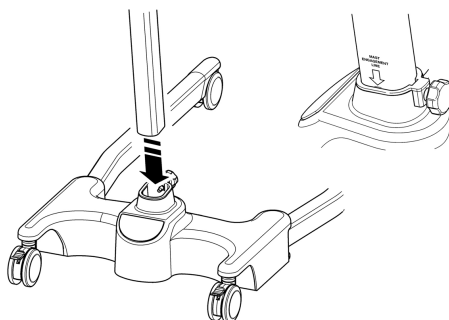
Instructions de Montage

1. Retirez toutes les pièces de la boîte et placez-les par terre, en prenant soin de protéger le fini.

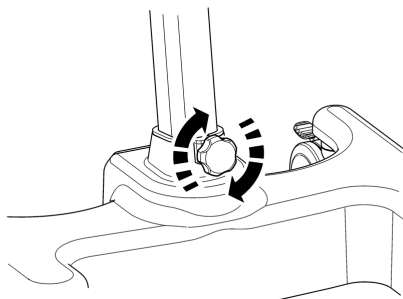
Placez le châssis dans un endroit dégagé et enclenchez les freins arrière.



2. Enfoncez le mât et la flèche dans la douille du châssis.



3. Resserrez le mât à l'aide du dispositif de verrouillage du mât situé devant le châssis.

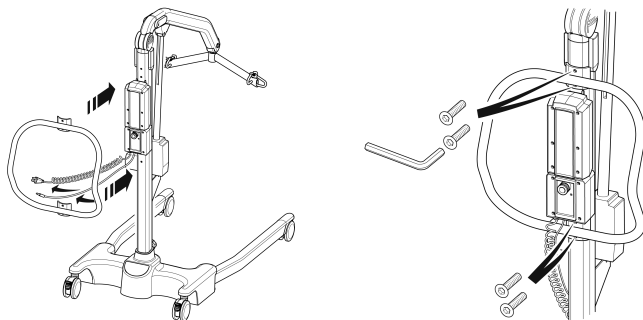


⚠ AVERTISSEMENT

Évitez de coincer vos doigts. Lorsque vous insérez le mât dans la fente, gardez vos doigts à l'écart de l'extrémité du mât. L'enclenchement complet du mât est indiqué par l'étiquette située sur son côté. Le pied électrique ne fonctionnera pas si le mât n'est pas totalement enclenché.

4. Faites tourner le bouton de verrouillage jusqu'à ce qu'il soit légèrement serré.
5. Alignez la poignée avec l'arrière du mât et fixez-la à l'aide des attaches fournies. Les attaches et la clé nécessaires à la fixation de la poignée se trouvent dans la poche du manuel d'utilisation.

REMARQUE: Avant de fixer la poignée au mât, vérifiez que tous les fils traînants se trouvent à l'extérieur de la poignée



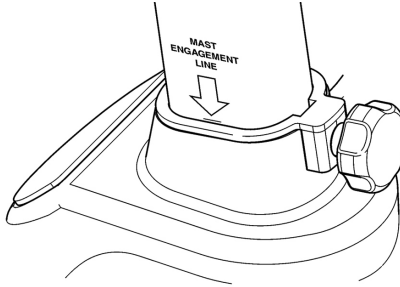
6. Remplacez le bloc d'alimentation sur le lève-personne et vérifiez que la bride le maintenant est totalement enclenchée. Enclenchez le bloc.

DÉMONTAGE

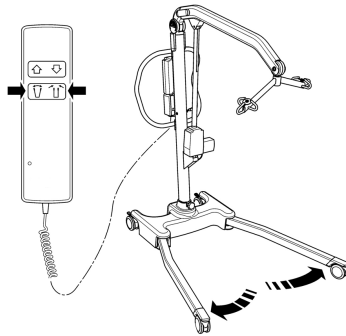
Le lève-personne ne doit être démonté que pour être réparé, entretenu ou transporté. Par conséquent, suivez les instructions de montage dans l'ordre inverse.

EFFECTUEZ TOUJOURS LES VÉRIFICATIONS SUIVANTES AVANT D'UTILISER L'APPAREIL:

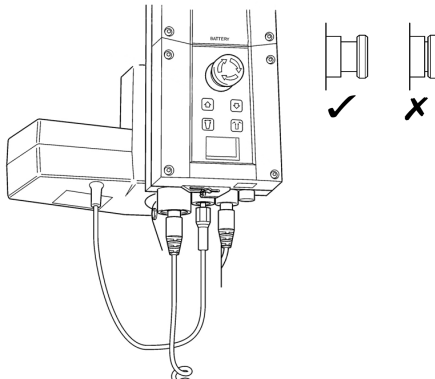
- Le mât est complètement verrouillé en position



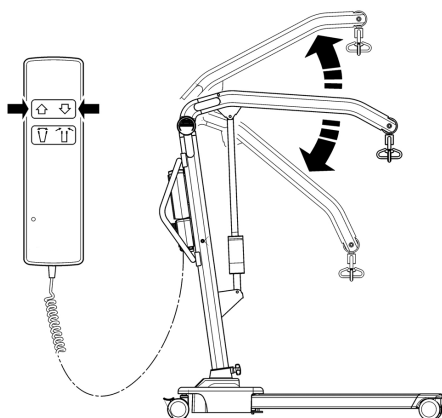
- Les pieds du lève-personne s'ouvrent et se referment de façon satisfaisante (Pour cela, utilisez la commande manuelle).



- Le bouton rouge d'arrêt d'urgence, situé à l'arrière du boîtier de commande, est en position OFF (arrêt).



- Appuyez sur les boutons « up » (vers le haut) et « down » (vers le bas) de la commande manuelle pour confirmer que la flèche se lève et s'abaisse.



4. Consignes de sécurité

Veuillez lire et suivre les consignes de sécurité ci-dessous. Le fonctionnement et l'utilisation des lève-personnes Oxford sont simples et clairs. Si vous suivez ces quelques consignes de sécurité fondamentales, vous serez en mesure d'utiliser ce lève-personne facilement et sans problème.

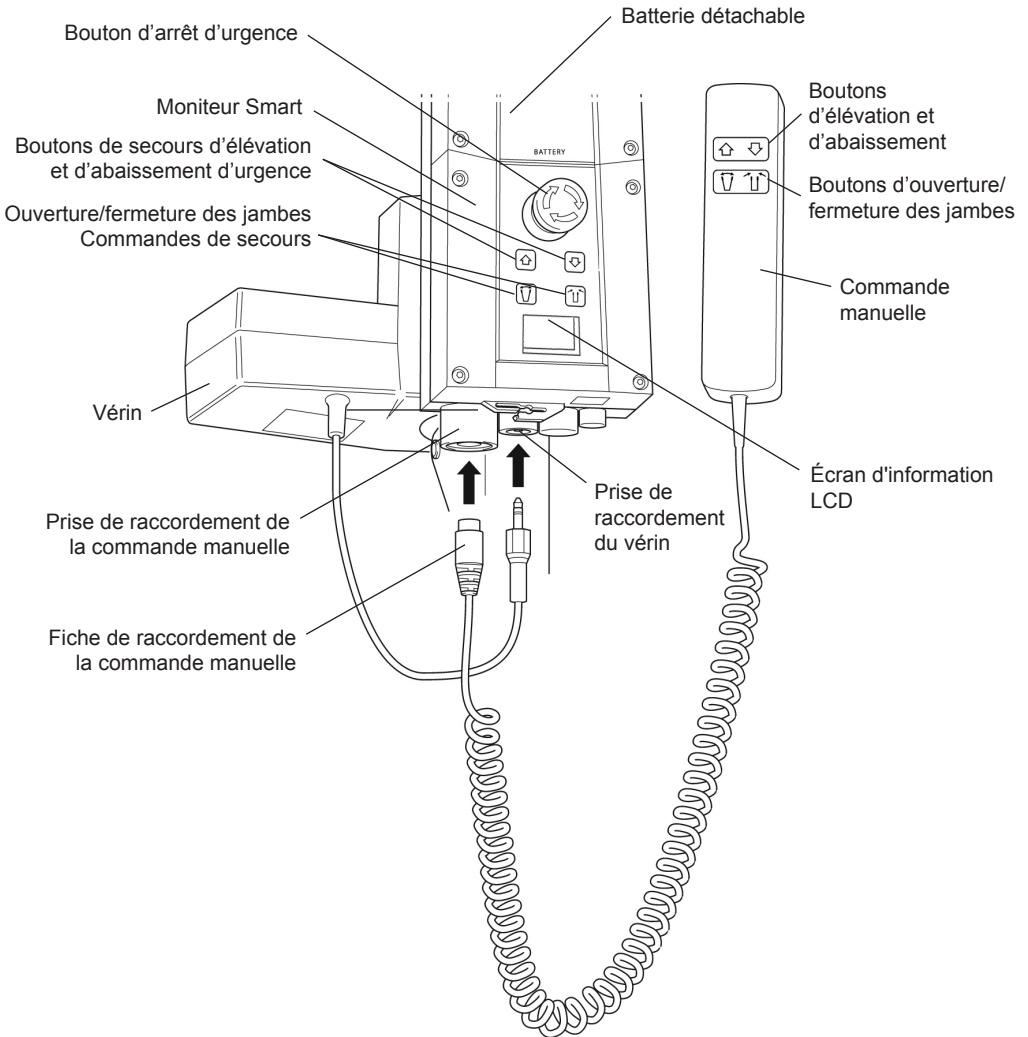
AVANT D'UTILISER VOTRE LÈVE-PERSONNE « PRESENCE », LISEZ LES INSTRUCTIONS DU MANUEL D'UTILISATION ET VEILLEZ À BIEN LES COMPRENDRE

AVERTISSEMENT

- Planifiez **TOUJOURS** vos opérations de levage avant de commencer.
- Effectuez **TOUJOURS** les **VÉRIFICATIONS QUOTIDIENNES** (page 49) avant d'utiliser le lève-personne.
- Familiarisez-vous **TOUJOURS** avec les commandes de fonctionnement et les dispositifs de sécurité d'un lève-personne avant de soulever un patient.
- **N'UTILISEZ PAS** de courroie, à moins que cela ne soit recommandé.
- Vérifiez **TOUJOURS** que la courroie convient au patient et qu'elle est de taille et de capacité appropriées.
- N'utilisez **JAMAIS** une courroie effilochée ou montrant des signes de détérioration.
- Ajustez **TOUJOURS** la courroie suivant les instructions fournies (consignes d'utilisation).
- Vérifiez **TOUJOURS** que la charge maximale d'utilisation du lève-personne est compatible avec le poids du patient.
- Effectuez **TOUJOURS** le levage suivant les instructions du manuel d'utilisation.
- Ne débranchez ni ne contournez **JAMAIS** une commande ou un dispositif de sécurité sous prétexte que cela semble plus facile pour utiliser le lève-personne.
- **NE SOULEVEZ PAS** un patient si les freins des roulettes sont serrés. Laissez toujours le lève-personne trouver le centre de gravité correct.
- **N'ESSAYEZ PAS** de manœuvrer le lève-personne en poussant le mât, la flèche ou le patient.
- Manœuvrez **TOUJOURS** le lève-personne à l'aide de la poignée fournie.
- Amenez **TOUJOURS** le patient à la position la plus basse et la plus confortable avant un transfert.
- **NE PUSSEZ PAS** un lève-personne chargé à des vitesses dépassant une allure de marche lente (3 kilomètres / heure, soit 0,8 mètres / seconde).
- **NE PUSSEZ PAS** le lève-personne sur un terrain accidenté, particulièrement si le lève-personne est chargé.
- **N'ESSAYEZ PAS**, si les roulettes ne peuvent pas surmonter un obstacle au sol, de pousser / tirer un lève-personne chargé.

- **NE FORCEZ JAMAIS** une commande de fonctionnement / de sécurité. Toutes les commandes sont faciles à utiliser et ne nécessitent pas une force excessive.
- La charge **MINIMALE** requise pour abaisser manuellement le lève-personne à l'aide de la fonction d'abaissement mécanique d'urgence est de **30 kg**.
- **NE RANGEZ** un lève-personne chargé sur **AUCUNE** surface inclinée.
- **N'UTILISEZ PAS** les lève-personnes électriques dans la douche.
- **NE CHARGEZ PAS** un lève-personne électrique dans une salle de bains ou une salle de douche.
- **NE SOULEVEZ PAS** un patient si vous n'avez ni l'expérience ni la compétence.
- **VOTRE** lève-personne est prévu pour soulever des patients. **NE L'UTILISEZ PAS**, et n'autorisez personne à s'en servir à d'autres fins.
- **NE HEURTEZ PAS** le lève-personnes en descendant des marches, qu'il soit chargé ou non.
- **N'ESSAYEZ PAS** de déplacer un lève-personne chargé sur une pente de plus de 1:12 (environ 5 degrés).
- **N'ESSAYEZ PAS** de monter ou de descendre une côte sans une autre personne à vos côtés.
- Vérifiez **TOUJOURS**, avant de bouger, que le lève-personne ne charge pas, car la connexion électrique peut être endommagée.

5. Moniteur Smart et commande manuelle



Utilisation prévue

Le moniteur Oxford Smart est un système de commande prévu pour les lève-personnes Oxford Mobile. Le moniteur Smart enregistre de précieuses données de service relatives à l'utilisation du lève-personne, lesquelles peuvent être consultées à tout moment, notamment:

- Nombre de cycles de levage des patients
- Charge de travail totale réalisée par le vérin
- Nombre de levages effectués en surcharge (tentatives de levage avec une charge supérieure à la charge maximale autorisée)
- Nombre de jours écoulés depuis le dernier entretien

Le moniteur Oxford Smart contient un microprocesseur qui permet de lire les données de service sur l'écran d'affichage LCD embarqué.

Caractéristiques

- Collecte des données dans la boîte de commande et affichage des données sur l'écran LCD
- Compteur d'opérations
- Compteur de cycles intelligent
- Indicateur d'entretien
- Indicateur d'intervalle entre 2 entretiens
- Informations sur l'utilisation en surcharge
- Indicateur de batterie à 3 témoins


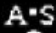


Avantages

- Sécurité renforcée pour le patient et l'assistant
- Données de service précises sur simple activation d'un bouton
- Durée de vie prolongée du produit
- Simplicité d'entretien pour les ingénieurs et les techniciens

Écran d'affichage LCD

Le moniteur Oxford Smart permet l'affichage d'informations sur l'écran LCD. Il peut, par exemple, afficher le nombre total de cycles de levage, la charge de travail totale effectuée, les surcharges et le nombre de jours écoulés depuis le dernier entretien. Ces informations permettent de rapidement évaluer l'état du vérin du lève-personne.

Pour afficher ces informations, appuyez une demi-seconde sur le bouton 'HAUT' de la commande manuelle ou sur le bouton de secours 'HAUT' du moniteur Smart.

	12034	—	Total des cycles de levage
	1257000	—	Total de la charge de travail effectuée (Ampères * Secondes)
	7	—	Nombre de surcharges
	90/180	—	Nombre de jours (depuis le dernier entretien) / Nombre de jours (entre deux entretiens)

Information sur l'entretien et l'utilisation



Quand arrive le moment de faire faire l'entretien, le symbole Service s'affiche à l'écran. De plus, lorsque la commande manuelle est activée, le moniteur Smart émet un signal sonore pour attirer l'attention de l'utilisateur sur le fait que l'entretien arrive à échéance.

Le symbole Service s'affichera à l'écran à chaque fois que les touches d'élévation ou d'abaissement sont actionnées sur la commande manuelle. Lorsque le symbole Service s'affiche, contactez immédiatement votre service d'entretien agréé pour prendre rendez-vous.

Vous pouvez continuer à utiliser le lève-personne pendant une brève période en attendant la visite d'entretien.

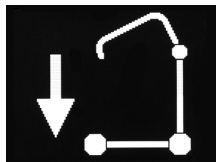


Si le lève-personne s'arrête en raison d'une surcharge (la charge à lever est supérieure à la charge maximale autorisée), le symbole de surcharge s'affiche sur l'écran LCD et le fonctionnement du lève-personne est interrompu jusqu'à ce que l'excès de charge ait été supprimé.

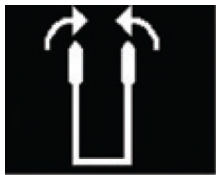
AVERTISSEMENT

Après la détection de surcharge par le lève-personne, Joerns Healthcare recommande d'effectuer TOUTES les vérifications de routine avant de réutiliser l'appareil (vous trouverez la liste des vérifications quotidiennes dans le manuel d'utilisation fourni avec le lève-personne). Joerns Healthcare vous recommande également de contacter votre service d'entretien agréé.

Commandes de secours embarquées



Les commandes de secours embarquées permettent de lever ou d'abaisser le lève-personne en situation d'urgence.



Si votre lève-personne comprend une fonction de positionnement des jambes intégrée, les commandes de fermeture et ouverture des jambes seront inutiles.

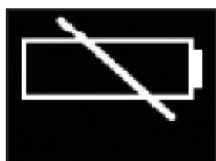
Niveau de batterie



Le symbole de la batterie pleine indique que la batterie est à pleine capacité et le lève-personne est prêt à l'emploi.



Le symbole de la batterie à moitié pleine indique qu'il est nécessaire de recharger la batterie.



Le symbole de la batterie vide indique que la batterie est complètement déchargée et doit être mise en charge immédiatement.

⚠ AVERTISSEMENT

Pour éviter tout endommagement irréversible de la batterie, il convient de mettre celle-ci en charge dès que l'écran affiche le symbole de la batterie à moitié pleine.

6. Instructions de fonctionnement

1. Réglage des pieds

La largeur des pieds de l'appareil Oxford Presence est réglable. Les pieds peuvent être ouverts pour faciliter l'accès autour des fauteuils ou des chaises roulantes. Pour permettre les transferts et le passage par des portes et des endroits exigus, les pieds du lève-personne doivent être en position fermée.

Le réglage des pieds électriques - est accompli en appuyant sur certains boutons de la commande manuelle. Les pieds se bloquent lorsque l'interrupteur de la commande manuelle est relâché.

2. Roulettes et freinage

Le lève-personne comporte deux roulettes à frein, qui permettent d'immobiliser l'appareil. Durant le levage, les roulettes doivent rester libres et ne pas être bloquées. Le lève-personne peut ainsi se diriger vers son centre de gravité. Si les freins sont enclenchés, le patient peut basculer vers le centre de gravité, ce qui peut s'avérer déconcertant et inconfortable.

3. Levage et abaissement de la flèche (modèles électriques)

Le mouvement de la flèche est transmis par un puissant actionneur électrique, qui est lui-même contrôlé par une simple unité de commande manuelle. La commande manuelle est munie de deux boutons sur lesquels se trouvent les flèches UP (vers le haut) et DOWN (vers le bas). L'actionneur s'arrête automatiquement en fin de course dans les deux sens. La commande manuelle se branche sur une prise située à la base du boîtier de commande. Un crochet situé à l'arrière de la commande manuelle permet de la « garer » sur le mât ou la flèche lorsqu'elle n'est pas en usage.

4. Arrêt d'urgence

Le bouton rouge d'arrêt d'urgence, situé à l'arrière du boîtier de commande, est activé lorsqu'on appuie dessus. Cela coupe l'alimentation du lève-personne, laquelle n'est rétablie que lorsque le bouton est tourné dans le sens antihoraire, puis relâché.

5. Commandes de secours

Tous les lève-personnes Oxford sont équipés de boutons d'élévation et d'abaissement sur le boîtier de commande. Ils sont situés sous le bouton d'arrêt d'urgence et peuvent servir à élever / abaisser le patient en cas de panne de la commande manuelle.

6. Abaissement mécanique d'urgence

En cas de panne totale d'alimentation, le vérin électrique est doté d'un dispositif d'abaissement mécanique à ressort (RED BOSS). Celui-ci ne fonctionne que lorsque le lève-personne est chargé. Pour actionner le dispositif, tournez-le à la main et relâchez-le. Le bras se met à descendre lentement. Répétez jusqu'à ce que le patient soit complètement redescendu.



⚠ AVERTISSEMENT

En cas d'utilisation de cette fonctionnalité, il est IMPÉRATIF de faire contrôler par la suite le lève-personne par un technicien compétent.

7. Batteries

Les batteries sont protégées contre les décharges poussées par une ALARME DE BASSE TENSION. Celle-ci retentit lorsque les batteries doivent être rechargées et que la commande manuelle est en usage. Elle ne retentit pas si la commande manuelle n'est pas en usage. NE NÉGLIGEZ PAS CETTE ALARME. Achevez le levage et mettez l'appareil sous charge (voir instructions de charge).

8. Courroies

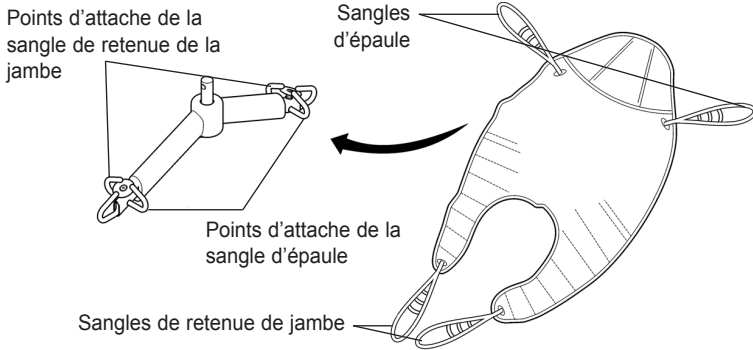
L'appareil Oxford Presence peut être équipé d'une barre d'écartement à six points ou d'une chassie à quatre points de fixation. Les deux systèmes utilisent des méthodes de fixation et des courroies différentes.

Le système à six points utilise des courroies dotées de boucles sanglées de couleurs différentes, permettant de régler le positionnement. Le système à quatre points utilise le système d'attaches sécuritaires Secri3 et se règle en faisant pivoter la chassie à quatre points monter ou descendre.

Courroies à sangles à boucles: Oxford Quickfit, Full Back, Quickfit Deluxe, Long Seat, Access et Silkfit

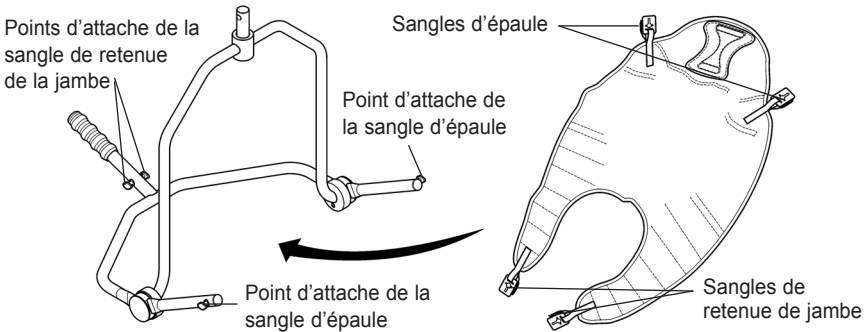
Courroies dotées d'attaches sécuritaires: Oxford Comfort

Le système à deux points s'attache aux crochets de la barre d'écartement à l'aide de sangles à boucles (illustrées ci-dessous). Chaque courroie est fournie avec des instructions. Veuillez lire le guide d'instructions avant toute utilisation.

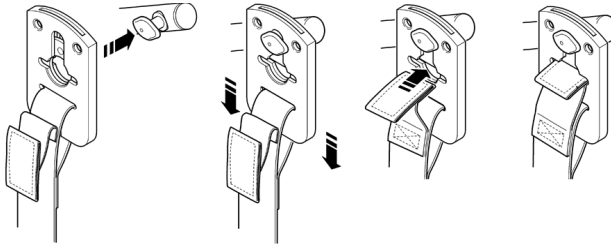


Barre d'écartement à 6-points; Exemple d'une courroie pour barre d'écartement à six points munie d'attaches en boucle.

La courroie pour le système à quatre points s'attache aux crochets de la chassiss à l'aide de sangles à boucles (illustrées ci-dessous). Chaque courroie est fournie avec des instructions. Veuillez lire le guide d'instructions avant toute utilisation.



Chassis à 4-points de fixation; Exemple d'une courroie pour chassis à 4-points dotée d'attaches sécuritaires.



Système de fixation à sangle Securi3. Exemple d'installation.

REMARQUE: Pour toute instruction détaillée sur la mise en place, reportez-vous au guide d'utilisation fourni avec chaque courroie.

⚠ AVERTISSEMENT

Joerns Healthcare vous conseille de vérifier, régulièrement et avant toute utilisation, que vos courroies ne sont ni effilochées, ni endommagées. N'utilisez JAMAIS une courroie usagée ou endommagée.

⚠ AVERTISSEMENT

OXFORD RECOMMANDE L'UTILISATION DE PIÈCES OXFORD AUTHENTIQUES. Les produits de sangle et de levage Oxford sont conçus pour être compatibles ensemble. Pour les directives spécifiques à votre pays au sujet de l'utilisation d'élingues et de leur compatibilité, veuillez lire l'étiquette de l'élingue ou contacter votre revendeur local ou Joerns Healthcare.

⚠ AVERTISSEMENT

Respectez la charge maximale du lève-personne. La charge de la courroie est limitée par la charge maximale du lève-personne.

7. Dépose des systèmes de barres d'écartement/ chassis à 4-points de fixation

SUIVEZ CES INSTRUCTIONS À LA LETTRE

Votre lève-personne Presence a l'option d'un système d'écartement à 6-points ou chassis à 4-points. Le retrait d'une de ces systèmes s'effectue facilement à l'aide d'une broche à déblocage rapide. Cette opération est rapide et facile, mais il est nécessaire de lire les consignes de sécurité suivantes afin de vous assurer que la barre d'écartement/chassis est verrouillée en place et en sécurité avant utilisation.

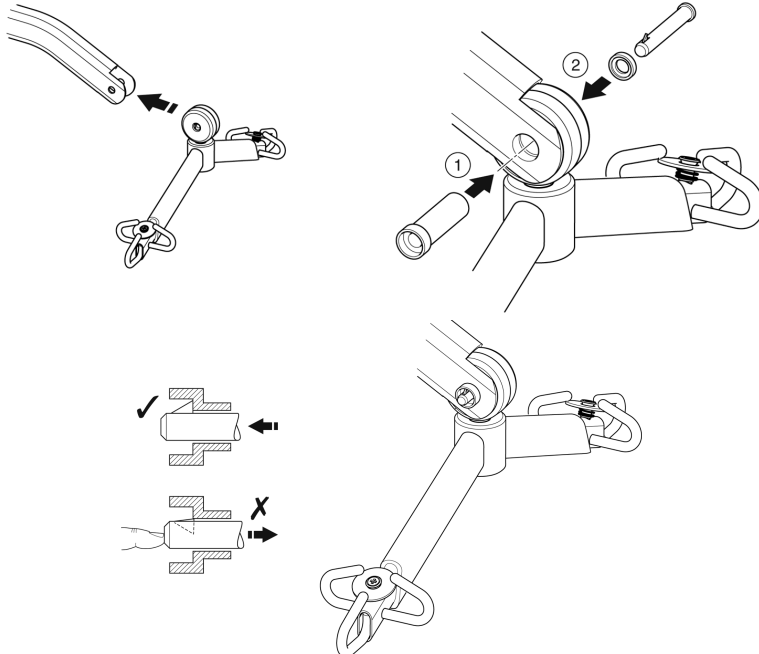
CONNEXION

Pour effectuer la connexion, relevez la barre d'écarter/chassis vers l'encoche de la flèche.

Introduisez le manchon de la broche dans le capuchon en plastique pour soutenir la barre d'écartement/chassis.

Une fois l'alignement sur l'encoche de la flèche obtenu, réintroduisez la broche à déblocage rapide dans le manchon jusqu'à ce qu'elle se verrouille en place. **VÉRIFIEZ QUE LA BROCHE EST CORRECTEMENT ENCLENCHÉE**

Pour cela, appuyez sur l'extrémité cannelée avec le doigt. Si la broche reste immobile, le lève personne peut être utilisé en sécurité.

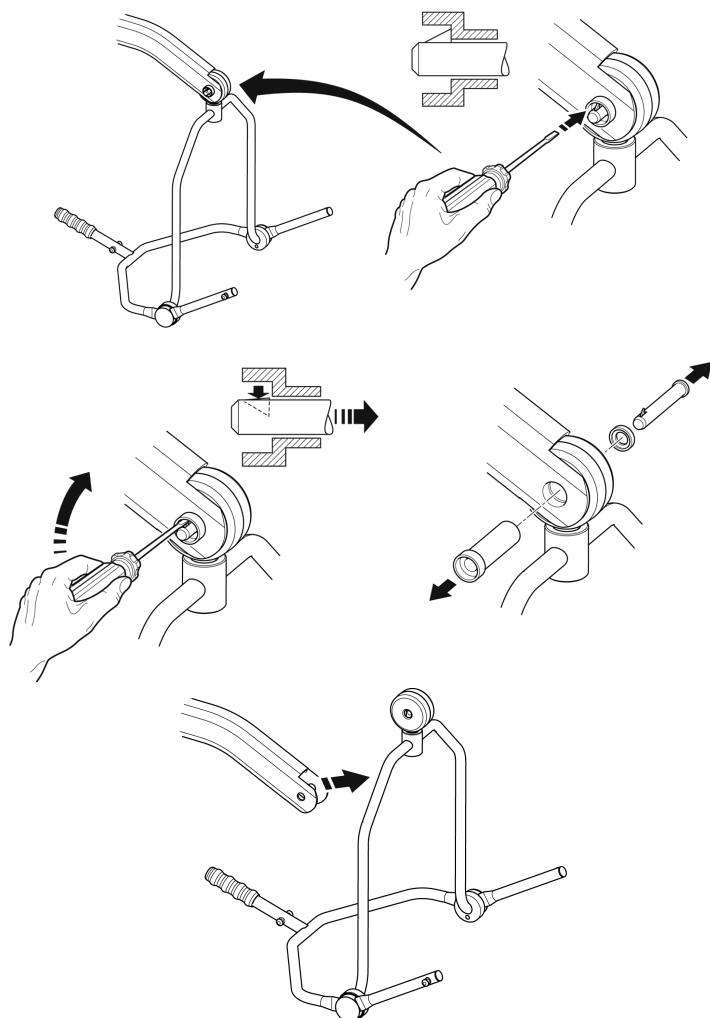


DÉPOSE

ATTENTION: Vérifiez que le poids de la barre est correctement/chassis supporté avant de retirer la goupille.

Pour détacher la broche, appuyez sur la languette de ressort (à l'aide d'un tournevis plat ou un outil similaire) et extrayez la broche.

Soutenez la barre d'écartement/chassis et tirez le manchon de la broche dans le sens opposé, en le retirant complètement de la flèche. Ceci libère complètement la barre d'écartement.



8. Instructions de charge

Les batteries sont situées dans le bloc d'alimentation et elles sont rechargées au moyen d'un chargeur autonome.

Lorsque le bloc d'alimentation doit être rechargé, retirez-le du lève-personne et branchez-le sur le chargeur autonome.

Joerns Healthcare Ltd recommande l'achat d'un bloc batterie supplémentaire, afin qu'un bloc soit toujours chargé.

1. Retirez le bloc d'alimentation du lève-personne. Il est retenu par une simple bride située sur le dessus. Soulevez la bride et le bloc est dégagé.
2. Placez le bloc d'alimentation dans le chargeur. L'emplacement et la fixation du bloc d'alimentation sur le chargeur sont assurés par le même système qui celui utilisé sur le lève-personne.
3. Branchez le fil / le cordon du chargeur sur une prise de courant appropriée et **ACTIVEZ** l'alimentation principale.
4. Les batteries se chargent complètement et automatiquement sur une période de huit à douze heures.

Remarque : Même si le chargeur reste branché pendant très longtemps, cela n'entraînera pas la « surcharge » des batteries.

- a) Voyant vert - Indique que l'appareil est sous tension.
- b) Voyant jaune - Indique que la batterie est en cours de recharge.
- c) La batterie est complètement rechargée une fois que le voyant jaune s'est éteint.

Remarque : La charge de la batterie prend 4 heures.
Il est conseillé de charger la batterie dès réception.

5. Pour remettre le lève-personne en service, **COUPEZ** l'alimentation principale et retirez le bloc d'alimentation du chargeur. Remplacez le bloc d'alimentation sur le lève-personne et vérifiez que la bride le maintenant est totalement enclenchée. Enclenchez le bloc. Le chargement des lève-personnes électriques Oxford est simple et clair, mais vous devez absolument suivre les instructions à la lettre. Prêtez une attention toute particulière aux points suivants, vous éviterez ainsi de vous retrouver avec des batteries déchargées.

AVERTISSEMENT

- **La batterie, le chargeur, la commande manuelle et la boîte de commande NE doivent PAS être ouverts par du personnel non autorisé. (Contactez votre distributeur pour toute information sur la garantie et les réparations).**
- **NE touchez PAS les bornes de la batterie/du chargeur.**
- **VEILLEZ à ce que les batteries restent en permanence complètement chargées. Pendant les périodes de non-utilisation du lève-personne, mettez la batterie en charge. Vous pouvez également mettre la batterie en charge la nuit. Le chargeur interrompt automatiquement la recharge dès que les batteries sont pleines. Il n'y a pas de risque de surcharge**
- **NE laissez JAMAIS les batteries se décharger complètement. Dès que l'avertisseur sonore retentit, terminez le levage en cours, puis mettez-les batteries en charge.**
- **Pour éviter tout endommagement irréversible de la batterie, il convient de mettre celle-ci en charge dès que l'écran affiche le symbole de la batterie à moitié pleine.**

- **N'entreposez JAMAIS** la batterie pendant une longue période sans le recharger régulièrement.
- **Veillez à TOUJOURS** mettre le chargeur hors tension avant de brancher ou de débrancher le bloc d'alimentation.
- **Ne laissez JAMAIS** le bloc d'alimentation branché au chargeur si ce dernier est hors tension.
- **NE LAISSEZ PAS** le chargeur sous tension si la batterie est débranchée.
- **N'UTILISEZ PAS** le lève-personne pendant qu'il est en charge.
- **VÉRIFIEZ** que le lève-personne n'est pas en charge avant de le déplacer afin d'éviter tout endommagement électrique.
- **NE DÉBRANCHEZ JAMAIS** le chargeur en tirant sur le câble.
- **VEILLEZ** à ne pas trébucher sur le câble du chargeur.
- **NE RECHARGEZ PAS** un lève-personne électrique dans une salle de bains ou une salle d'eau.

9. Périodicité d'entretien et liste des vérifications quotidiennes

Tous les produits Oxford sont conçus de manière à ne nécessiter qu'un entretien minimal; toutefois, certaines vérifications et procédures de sécurité sont nécessaires. Un tableau des tâches QUOTIDIENNES est présenté ci-après. Des vérifications quotidiennes et un entretien, une inspection et un essai semestriel garantissent que le lève-personne fonctionne parfaitement. Une liste de pièces détachées est disponible sur demande.

L'ESSAI DE CHARGE et la certification doivent être effectués par du personnel qualifié ou un agent / concessionnaire d'entretien autorisé.

LISTE DES VÉRIFICATIONS QUOTIDIENNES: Joerns Healthcare vous conseille vivement d'effectuer les vérifications suivantes chaque jour et avant d'utiliser le lève-personne.

- ASSUREZ-VOUS que le lève-personne se déplace facilement sur ses roulettes.
- ASSUREZ-VOUS que la barre d'écartement tourne et pivote facilement. Vérifiez qu'elle est bien fixée sur la flèche.
- RECHERCHEZ les signes d'usure sur les crochets des courroies de la barre d'écartement et sur les dispositifs de suspension latéraux. Dans le doute, ne les utilisez pas.
- INSPECTEZ les courroies afin de déceler tout éventuel signe d'effilochage ou d'usure. N'UTILISEZ PAS de courroie endommagée.
- ASSUREZ-VOUS que les pieds s'ouvrent et se referment correctement.
- ACTIONNEZ la commande manuelle pour confirmer que la flèche se lève et s'abaisse normalement.
- ASSUREZ-VOUS que l'alarme de batterie faible ne se déclenche pas lorsque la commande manuelle est actionnée (lève-personne électrique uniquement). Si l'alarme retentit, N'UTILISEZ PAS l'appareil et mettez-le sous charge immédiatement.
- Les appareils électriques ACTIVÉS permettent de vérifier le fonctionnement du bouton d'arrêt d'urgence.

ENTRETIEN, INSPECTION ET ESSAIS

Joerns Healthcare recommande d'effectuer régulièrement une inspection et des essais poussés du lève-personne Oxford Presence et des accessoires, courroies, etc. La fréquence des inspections varie selon l'endroit. Veuillez vous renseigner auprès de votre revendeur et / ou d'un organisme gouvernemental local sur la périodicité requise des inspections. Les examens et les essais doivent être effectués suivant les recommandations et les procédures énoncées dans le présent manuel. Dans la mesure du possible, Joerns Healthcare recommande que l'entretien, les inspections et les essais certifiés soient effectués uniquement par un agent d'entretien ou un revendeur agréé.

REMARQUE: Ces recommandations sont conformes aux normes d'Hygiène et de Sécurité N° 2307 de 1998. Réglementations sur les opérations et l'équipement de levage 1998. Il s'agit d'une réglementation du Royaume-Uni. En dehors du Royaume-Uni, veuillez vous renseigner sur les règlements de votre pays.

***CES VÉRIFICATIONS DOIVENT PORTER SUR:**

	Initialement	Avant utilisation	Service Intervalles d'entretien
1. BARRE D'ÉCARTEMENT: Vérifiez que la barre d'écartement tourne et pivote librement. Vérifiez l'absence d'usure sur le pivot central. Assurez-vous qu'elle est solidement fixée sur la flèche.	✓	✓	✓
2. FLÈCHE: Vérifiez que la flèche est fixée sur le mât. Assurez-vous que le mouvement latéral de la flèche est minimal et qu'elle tourne librement sur son roulement.	✓	✓	✓
3. MÂT: Vérifiez le fonctionnement du dispositif de verrouillage du mât. Assurez-vous que le mât s'engage entièrement dans la douille. Vérifiez le l'actionneur du bas.	✓	✓	✓
4. ACTIONNEUR: Hormis la vérification du bon fonctionnement et la recherche de bruits inhabituels, l'actionneur ne nécessite en principe aucun entretien.			✓
5. MONITEUR SMART : Vérifiez le bon fonctionnement du bouton d'arrêt d'urgence. Vérifiez le branchement de la prise de la commande manuelle. Vérifiez le fonctionnement de la commande manuelle. Vérifiez que les commandes de secours fonctionnent correctement.	✓	✓	✓
6. BATTERIES: Les batteries sont logées dans le bloc d'alimentation et, à l'exception de recharges régulières effectuées conformément aux instructions de charge, elles ne nécessitent en principe aucun entretien. Vérifiez la propreté des connexions.			✓
7. RÉGLAGE DES PIEDS: Vérifiez que les pieds s'étendent complètement (vers l'intérieur / l'extérieur).	✓	✓	✓
8. ROULETTES: Vérifiez que toutes les roulettes sont solidement fixées sur les pieds. Vérifiez que les roulettes et les roues tournent librement.	✓	✓	✓
9. NETTOYAGE: Nettoyez au savon ordinaire et à l'eau et /ou avec un désinfectant pour surfaces dures. Les produits de nettoyage chimiques corrosifs ou les abrasifs doivent être évités, car ils peuvent endommager la fini du lève-personne. Évitez de mouiller les pièces électriques.		✓	✓
10. ESSAI DE CHARGE: L'essai de charge doit être effectué conformément aux procédures d'essai préconisées par le fabricant. Nous vous conseillons vivement de faire tester l'appareil par un spécialiste agréé.			✓
11. BASE ET ROUES: Assurez-vous que la base est régulière et nivelée (les quatre roues reposent sur le sol).	✓	✓	✓
12. COURROIES: Vérifiez l'absence d'usure et d'effilochage.	✓	✓	✓
13. LUBRIFICATION: Huilez les joints pivotants, y compris les pièces reliant le mât et la flèche, l'ensemble de la pédale, la barre d'écartement et le joint (seulement si nécessaire).			✓
14. COMBINÉ: Vérifiez qu'il est totalement branché dans le contrôleur.	✓	✓	
15. GOUPILLE À DÉVERROUILLAGE RAPIDE: Vérifiez que la goupille est bien insérée avant de soulever en appuyant sur l'extrémité crantée.	✓	✓	
16. FIXATIONS: Vérifiez que les écrous, boulons, vis et fixations ne présentent pas de signe d'usure et sont correctement serrés. Remplacez-les si nécessaire.			✓

10. Spécifications techniques

Charge maximale d'utilisation	500 lbs	227 kgs
Longueur maximale hors tout.....	57,5 pouces	1460 mm
Longueur minimale hors tout.....	55,1 pouces	1400 mm
Hauteur maximale hors tout	81,3 pouces	2065 mm
Hauteur minimale hors tout	57,5 pouces	1460 mm
Hauteur maximale de la barre d'écartement..	75,2 pouces	1910 mm
Hauteur minimale de la barre d'écartement...	16,9 pouces	430 mm
Hauteur à portée maximale.....	51,5 pouces	1310 mm
Portée à hauteur maximale	25,6 pouces	650 mm
Portée à hauteur minimale	15,7 pouces	400 mm
Portée maximale	36,6 pouces	930 mm
Rayon de braquage.....	64,2 pouces	1630 mm
Pieds ouverts - Largeur externe.....	45,2 pouces	1150 mm
Pieds ouverts - Largeur interne.....	40,1 pouces	1020 mm
Pieds fermés - Largeur externe.....	26,4 pouces	670 mm
Pieds fermés - Largeur interne.....	21,6 pouces	550 mm
Hauteur des pieds, hors tout.....	4,7 pouces	120 mm
Garde au sol.....	1,4 pouces	35 mm
Roulettes jumelées avant.....	4 pouces	100 mm
Roulettes arrière à freins.....	4 pouces	100 mm

*Portée = distance entre le centre de la barre d'écartement et l'avant du mât

Berceau à positionnement en 4-points (mesure en haut des goujons de placement)

Hauteur maximum du berceau.....	61 pouces	1550 mm
Hauteur minimum du berceau (utile).....	15,4 pouces	390 mm

Poids

Ensemble mât, base et flèche.....	81,4 lbs	37 kgs
(comprend la barre d'écartement à positionnement en 2 points)		
Bloc d'alimentation	6,6 lbs	3 kgs
Total.....	88 lbs	40 kgs
Base (sans la batterie)	44 lbs	20 kgs
Mât et flèche (sans la batterie).....	37,4 lbs	17 kgs
Berceau à positionnement en 4-points.....	13,2 lbs	6 kg

Toutes les mesures sont indiquées avec une tolérance de +5 / -5.

SPÉCIFICATIONS ÉLECTRIQUES

BATTERIES	12 volts, type plomb-acide, scellées rechargeables
CAPACITÉ DES BATTERIES	3,2 A / h
VALEURS NOMINALES D'ENTRÉE DU CHARGEUR	230 Vca, 50 / 60 Hz
VALEURS NOMINALES DE SORTIE DU CHARGEUR	27,4 / 29,0 Vcc à 0,8 A

Protection Contre les Décharges Électriques

CHARGEUR	CLASSE II
LÈVE-PERSONNE	SOURCE D'ALIMENTATION INTERNE

Degré de Protection Contre les Décharges

CHARGEUR	TYPE B
LÈVE-PERSONNE	TYPE B

ENVIRONNEMENT DE

FONCTIONNEMENT PRÉVU >+5° <+40°.

En dehors de ce type d'environnement, le fonctionnement et la sécurité de l'appareil peuvent être compromis.

CONDITIONS ENVIRONNEMENTALES

En dehors de ce type d'environnement le fonctionnement et la sécurité de l'appareil peuvent être compromis.

FONCTIONNEMENT :

TEMPÉRATURE	5°C à 40°C
HUMIDITÉ RELATIVE.....	20% à 90% @ 30°C - sans condensation
PRESSION ATMOSPHÉRIQUE	700 à 1060 hPa

ENTREPOSAGE :

TEMPÉRATURE	-10°C à +50°C
HUMIDITÉ RELATIVE.....	20% à 90% @ 30°C - sans condensation
PRESSION ATMOSPHÉRIQUE	700 à 1060 hPa

PROTECTION D'ENTRÉE

BOÎTIER DE COMMANDE.....	IPX4
ACTIONNEUR.....	IPX4
CHARGEUR NON TRANSPORTÉ	IPX5
BATTERIE	IPX5
COMBINÉ	IPX5

CYCLES DE SERVICE

ACTIONNEUR.....	10% (2 min./18 min.)
CHARGEUR	Environ 4 heures

ACOUSTIQUE

Niveau sonore pondéré A	60 dB (A)
-------------------------------	-----------

PRINCIPAUX SYMBOLES:

Vous trouverez les symboles suivants sur le chargeur, l'unité de commande et la batterie :



Équipement de type B, conformément à EN 60601-1



Équipement de Classe 2



Ne pas jeter le chargeur et l'unité de commande avec les déchets ménagers.



Ne pas jeter la batterie avec les déchets ménagers.



Ne pas jeter les composants électroniques avec les déchets ménagers.



Utilisation à l'intérieur



ATTENTION, consultez les documents fournis.

Numéro DEEE : WEE/GG0464RZ

11. Garantie

Joerns Healthcare possède un réseau d'agents de service et de distributeurs agréés qui se feront un plaisir de répondre à vos questions relatives à l'achat, la garantie, la réparation et l'entretien de votre matériel. Nous vous recommandons de confier la mise en service de nos produits à votre agent de service ou distributeur agréé.

Le programme de garantie est assuré par votre distributeur ou l'agent de service, il est donc important de conserver soigneusement ses coordonnées (nom, adresse et numéro de téléphone) afin de pouvoir le contacter en cas de problème. An cas de doute sur le lieu d'achat de votre lève-personne, Joerns Healthcare est en mesure d'identifier votre fournisseur à partir du numéro de série du lève-personne.

Toutes les réclamations au titre de la garantie sont conditionnées à l'usage et à l'entretien corrects et conformes au manuel d'utilisation livré avec chaque appareil. Tout endommagement résultant d'une utilisation dans des conditions inadaptées ou du non-respect des consignes d'entretien et d'utilisation n'est pas couvert par la garantie. La garantie ne porte pas atteinte à vos droits légaux.

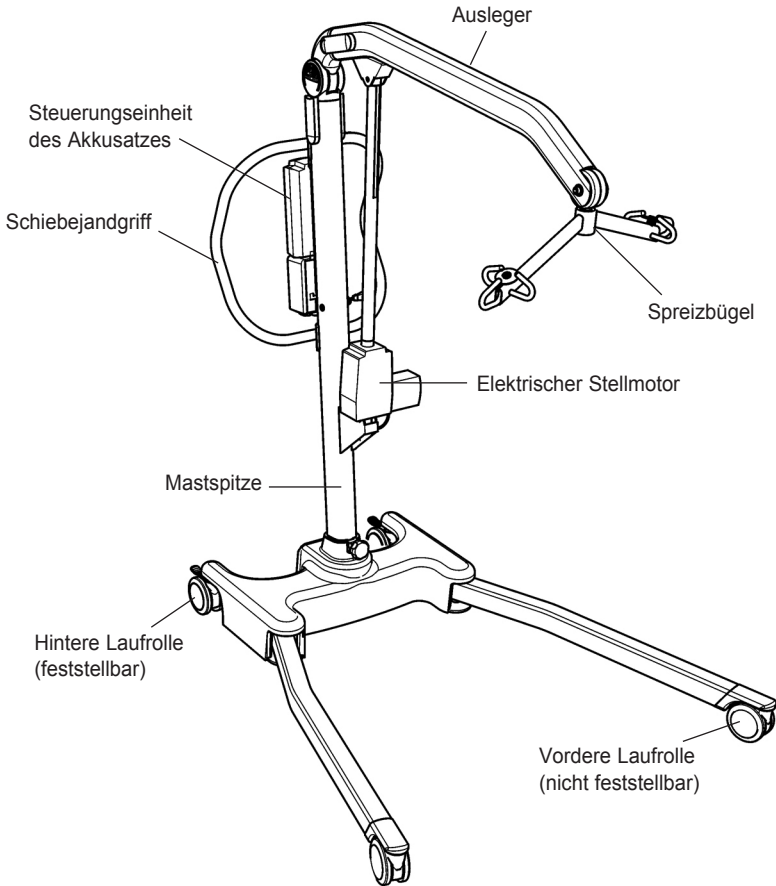
N'OUBLIEZ PAS: Contactez votre agent de service ou distributeur agréé pour vos achats, réparations, entretiens et maintenances certifiées.

Votre distributeur:

Inhalt

1. Oxford Presence Patientenlifter	57
2. Einführung: Über Den Lifter	58
3. Montage und Inbetriebnahme	59
4. Sicherheitshinweise.....	63
5. Smart Monitor und Handbedienung	65
6. Betriebshinweise	69
7. Entfernen der Sechspunkt-Spreizbügelssysteme und Vierpunkt-Rahmensystem	72
8. Aufladen der Akkueinheit	74
9. Wartungsplan und Tägliche Prüfliste	76
10. Technische Daten	77
11. Garantie.....	81

1. Oxford Presence Patientenlifter



2. Einführung: Über Den Lifter

Der Presence-Lifter wird vor der Auslieferung vollständig montiert, unter Last getestet und zertifiziert.

Die Verpackung besteht aus einem festen, zweckmäßig geformten Versandkarton für den sicheren Transport des Lifters und wird sowohl für den heimischen Markt als auch für den Export verwendet. Mit jedem Lifter werden die zugehörigen Dokumente in einer beiliegenden Tasche geliefert, die für die spätere Verwendung sicher aufbewahrt werden müssen.

- PRÜFZERTIFIKAT
- HÄNDLER-GARANTIEKARTE
- BENUTZERHANDBUCH
- CUSTOMER SATISFACTION CARD

Das PRÜFZERTIFIKAT ist ein wichtiges Dokument und sollte für Referenzzwecke aufbewahrt werden. Für die ordnungsgemäße Wartung Ihres Lifters befolgen Sie bitte den Wartungsplan, der in diesem Dokument enthalten ist. Wenn Sie unsicher sind, welche Wartungsanforderungen für Ihren lokalen Markt gelten, erkundigen Sie sich bei Ihrem Händler und/oder bei der zuständigen Behörde.

Das CE-Zeichen: Der Oxford Presence trägt das CE-Zeichen und erfüllt die folgenden EU-Richtlinien:



- Richtlinie über Medizinprodukte (93/42/EWG)
- EMC-Verordnung (89/336/EWG)
- Niederspannungsrichtlinie (73/23/EWG)

Sachgemäße Anwendung des Lifters

Die bestimmungsgemäße Verwendung dieser Hebevorrichtung ist das sichere Heben und Umlagern einer Person von einer Ruhefläche zu einer anderen (wie etwa von einem Bett in einen Rollstuhl). Joerns Healthcare empfiehlt, für die Umlagerung von Patienten eine vollständige Risikoanalyse durchzuführen und nur über kurze Entfernung umzulagern.

Der Oxford Presence ist für Patienten in SITZENDER, SITZENDER/LIEGENDER und LIEGENDER Position geeignet.

Der Oxford Presence ist ein elektrischer Patientenlifter und ist dafür ausgelegt, die sichere Handhabung und das sichere Umlagern von Patienten sowohl für den Patienten als auch für die Pflegeperson zu unterstützen und zu fördern.

Der Oxford Presence Patientenlifter verfügt über einen 6-Punkt-Spreizbügel als Standardausstattung und ist für die Verwendung mit Oxford Gurten ausgelegt. Eine 4-Punkt-Halterung ist als optionales Zubehör erhältlich.

Beispiele für Gurte, die für dieses Gerät geeignet sind, werden wie folgt angegeben:

- Oxford Quickfit
- Oxford Full Back
- Oxford Quickfit Deluxe
- Oxford Long Seat
- Oxford Access
- Oxford Comfort
- Oxford Silkfit

Erwartete Lebensdauer

Oxford Professional Patientenlifter sind für eine Lebensdauer von mindestens zehn (10) Jahren ausgelegt und geprüft, vorausgesetzt, die in diesem Handbuch beschriebenen Verfahren für Gebrauch und Wartung werden eingehalten. Bei einer Verwendung, die nicht den Angaben in dieser Anleitung entspricht, kann die Lebensdauer beeinträchtigt werden.

3. Montage und Inbetriebnahme

Stellen Sie den Versandkarton in einem freien Arbeitsbereich auf und öffnen Sie ihn vorsichtig.

Der Karton enthält folgende Teile:

- OXFORD PRESENCE LIFTER
- TASCHE MIT DOKUMENTEN
- HANDBEDIENUNG
- AKKUEINHEIT
- LADEKABEL
- TISCHLADEGERÄT/STÄNDER

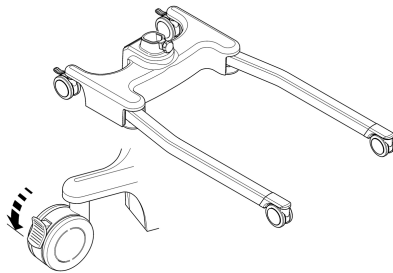
⚠ WARNUNG

Der Oxford Presence ist schwer und muss vorsichtig gehoben werden. Holen Sie sich Hilfe, um den Oxford Presence aus dem Karton zu heben.

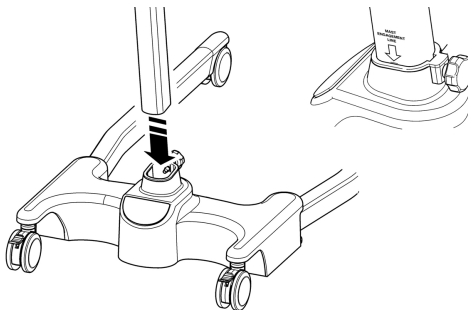
Montage

1. Nehmen Sie alle Teile aus dem Karton heraus, legen Sie sie auf den Boden und achten Sie darauf, dass die Oberfläche des Geräts nicht beschädigt wird.

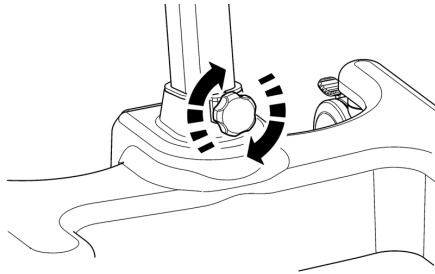
Stellen Sie den Rahmen an einer freien Stelle auf, und verriegeln Sie die hinteren Feststellbremsen.



2. Stecken Sie die Mast/Ausleger-Baugruppe in die entsprechende Buchse des Rahmens.



3. Ziehen Sie den Mast mit dem Mast-Feststellknopf fest, der sich vorne am Rahmen befindet.

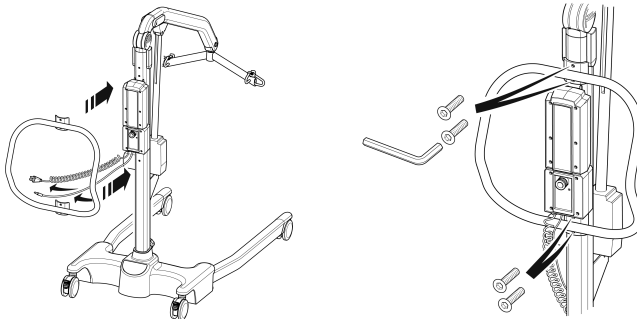


⚠ WARNUNG

Quetschgefahr: Halten Sie die Finger vom Mastende fern, wenn Sie den Mast in die Rahmenbuchse einsetzen. Das Etikett auf der Mastseite zeigt an, wann der Mast vollständig eingesetzt ist. Erst wenn der Mast ganz eingesetzt ist, ist das elektrische Fahrgestell funktionsbereit.

4. Drehen Sie den Feststellknopf mit der Hand fest.
5. Richten Sie die Handgriff-Einheit mit dem Hinterteil des Masts aus, und befestigen Sie sie mit den mitgelieferten Schrauben. Die Schrauben und der zur Befestigung des Handgriffs benötigte Schraubenschlüssel sind in der Gebrauchsanweisungstasche aufbewahrt.

ACHTUNG: Beim Anbringen des Handgriffs an den Mast achten Sie darauf, dass sich alle losen Kabel außerhalb des Handgriffs befinden.



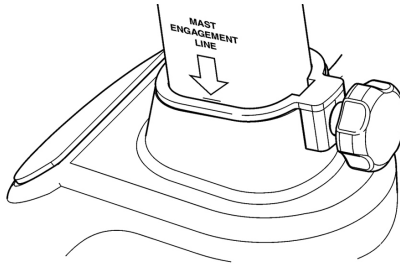
6. Setzen Sie die Akkueinheit in den Lifter ein und vergewissern Sie sich, dass der Verschluss, der die Einheit an ihrem Platz hält, vollständig eingerastet ist. Die Einheit muss mit einem klickenden Geräusch einrasten.

DEMONTAGE

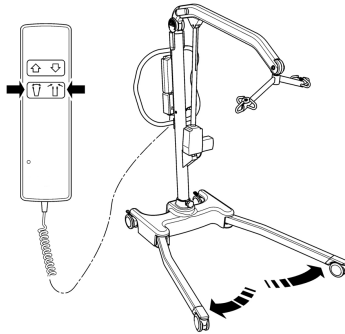
Der Lifter sollte nur bei Bedarf für Wartung, Reparatur oder Transport demontiert werden. Hierzu befolgen Sie die Montageanweisungen in umgekehrter Reihenfolge.

PRÜFEN SIE VOR DEM BETRIEB STETS DIE FOLGENDEN PUNKTE:

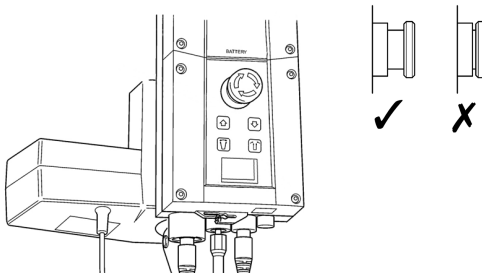
- Der Mast ist ordnungsgemäß eingerastet.



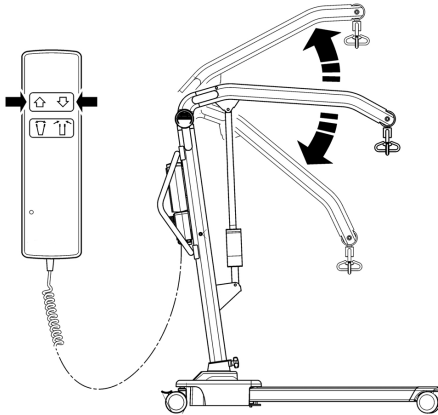
- Das Fahrgestell des Lifters lässt sich einwandfrei spreizen und zusammenführen. (Dies geschieht über die Handbedienung.)



- Der rote Not-Aus-Knopf auf der Rückseite der Steuereinheit befindet sich in der Position OFF (Aus).



- Drücken Sie die Aufwärts- und Abwärts-Tasten auf der Handbedienung und vergewissern Sie sich, dass sich der Ausleger hebt und senkt.



4. Sicherheitshinweise

Lesen und befolgen Sie die nachfolgend aufgeführten Sicherheitshinweise. Betrieb und Funktionsweise des Oxford Patientenlifters sind einfach und direkt. Wenn Sie diese grundlegenden Sicherheitsvorkehrungen beachten, ist der Hebebetrieb leicht und problemlos.

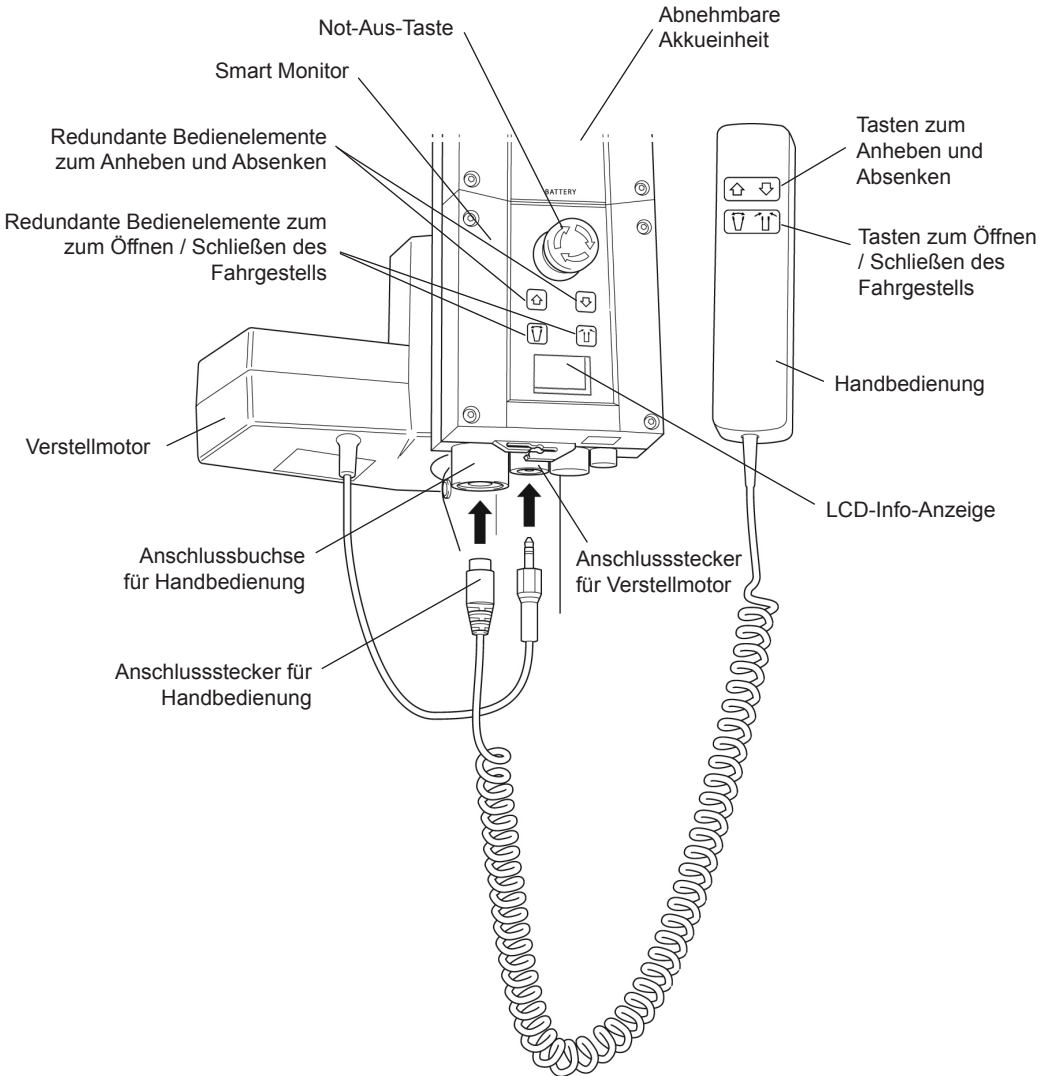
DER „PRESENCE“ LIFTER DARF NUR VON PERSONEN VERWENDET WERDEN, DIE DIESES BENUTZERHANDBUCH GELESEN UND VERSTANDEN HABEN.

⚠ WARNUNG

- Planen Sie die mit dem Lifter auszuführenden Aufgaben **STETS** bevor Sie beginnen.
- Gehen Sie vor jedem Einsatz des Lifters die **TÄGLICHE PRÜFLISTE** (Seite 77) durch.
- Machen Sie sich vor jedem Heben von Patienten mit den Bedienungselementen und Sicherheitseinrichtungen des verwendeten Lifters vertraut.
- Verwenden Sie **KEINE** Gurte, die nicht ausdrücklich zur Verwendung mit diesem Lifter empfohlen werden.
- Prüfen Sie **STETS**, ob der Gurt für den speziellen Patienten geeignet ist und die korrekte Größe und Tragfähigkeit besitzt.
- Verwenden Sie **NIEMALS** Gurte, die ausgefranst oder beschädigt sind.
- Passen Sie die Gurte **STETS** gemäß den Anweisungen (Benutzerhandbuch) an.
- Vergewissern Sie sich, dass die zulässige Arbeitsbelastung des Lifters für das Gewicht des Patienten ausreicht.
- Bedienen Sie den Lifter **STETS** gemäß den Anweisungen im Betriebshandbuch.
- Bedienungs- oder Sicherheitselemente dürfen **AUF KEINEM FALL** entfernt oder außer Kraft gesetzt werden, um den Lifter-Betrieb zu vereinfachen.
- Heben Sie Patienten **NIEMALS** mit festgestellten Laufrollen an. Der Lifter muss sich stets auf den richtigen Schwerpunkt positionieren können.
- Manövrieren Sie den Lifter **NIEMALS** durch Schieben am Mast, Ausleger oder am Patienten.
- Manövrieren Sie den Lifter **STETS** mit dem vorhandenen Handgriff.
- Senken Sie den Patienten vor Beginn des Transfers **STETS** auf die niedrigste bequeme Position.
- Schieben Sie den beladenen Lifter **NICHT** bei Geschwindigkeiten, die über der Schrittgeschwindigkeit liegen (3 km/h, 0,8 m/s).
- Schieben Sie den Lifter **NICHT** über unebene oder raue Flächen, insbesondere wenn er beladen ist.
- Schieben/ziehen Sie den beladenen Lifter **NICHT** über Hindernisse am Boden, die von den Laufrollen nicht überfahren werden können.
- Betätigen Sie die Bedienungs-/Sicherheitselemente **NIEMALS** mit Gewalt. Alle Elemente sind leichtgängig und ohne Gewalt zu betätigen.

- Die **MINDESTLAST** zum manuellen Absenken des Patientenlifters mit der mechanischen Notabsenkung beträgt 30 kg.
- Parken Sie den beladenen Lifter **NICHT** auf schiefen Ebenen.
- Verwenden Sie elektrische Lifter **NICHT** in Duschbädern.
- Laden Sie elektrische Lifter **NICHT** in Bädern oder Duschräumen auf.
- Heben Sie **KEINE** Patienten, wenn Sie nicht dafür ausgebildet und kompetent sind.
- Der Lifter ist zum Heben von Patienten konzipiert worden. Er darf für **KEINE** anderen Zwecke verwendet werden.
- Der Lifter darf weder in beladenem noch in unbeladenem Zustand Stufen heruntergeschoben werden.
- Führen Sie den beladenen Lifter **NICHT** über schiefe Ebenen mit mehr als 1:12 (ca. 5 Grad) Gefälle.
- Führen Sie den Lifter **NICHT** ohne zweiten Helfer über schiefe Ebenen.
- Achten Sie vor dem Bewegen **STETS** darauf, dass der Lifter nicht gerade aufgeladen wird, da der elektrische Anschluss beschädigt werden kann.

5. Smart Monitor und Handbedienung



Bestimmungsgemäße Verwendung

Der Oxford Smart Monitor ist ein Steuersystem für mobile Oxford Patientenlifter. Der Smart Monitor speichert nützliche Servicedaten zum Patientenlifter, die bei Bedarf aufgerufen werden können. Zu den Servicedaten gehören:

- Anzahl der mit Patienten durchgeführten Hübe
- Gesamtleistung des Verstellmotors
- Anzahl der Überlasten am Patientenlifter (Hubversuche über der maximalen Tragfähigkeit)
- Anzahl der Tage seit dem letzten Serviceintervall

In den Oxford Smart Monitor ist ein Mikroprozessor eingebaut, mit dem Servicedaten über die eingebaute LCD-Anzeige ausgelesen werden kann.

Funktionen

- Datensammlung im Steuerkasten mit Anzeige der Daten über eine LCD-Anzeige
- Leistungszähler
- Intelligenter Hubzähler
- Serviceanzeige
- Serviceintervallanzeige
- Überlastinformationen
- 3-stufige Akkuanzeige



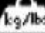

Vorteile

- Mehr Sicherheit für Patienten und Pflegepersonal
- Korrekte Servicedaten auf Knopfdruck verfügbar
- Optimierte Lebensdauer des Produkts
- Einfache Wartung für Mechaniker und Servicemechaniker

LCD Anzeige

Mit dem Oxford Smart Monitor können Daten über die LCD-Anzeige ausgelesen werden. Es können die Gesamtzahl der Hubvorgänge, Gesamtleistung, Überlasten und Anzahl der Tage seit dem letzten Service ausgelesen werden, die zur schnellen und einfachen Beurteilung des Zustands des Hubverstellmotors verwendet werden können.

Der Zugriff auf die Daten erfolgt durch Drücken der Taste 'UP' an der Handbedienung für ½ Sekunde oder der redundanten Taste 'UP' am Smart Monitor.

	12034	— Gesamtzahl der Hübe
	1257000	— Gesamtleistung (Ampere * Sekunden)
	7	— Anzahl der Überlasten
	90/180	— Anzahl der Tage (seit dem letzten Service) / Anzahl der Tage (zwischen einem Service und dem nächsten)

Informationen zu Service und Verwendung



Wenn ein Service fällig ist, erscheint das Service-Symbol auf dem Display. Wenn die Handbedienung aktiviert ist, gibt der Smart Monitor auch ein akustisches Signal ab, das den Benutzer darauf hinweist, dass ein Service erforderlich ist.

Das Service-Symbol wird jedes Mal angezeigt, wenn die Taste zum Anheben oder Absenken an der Handbedienung gedrückt wird. Wenn das Service-Symbol angezeigt wird, wenden Sie sich sofort an Ihren autorisierten Fachhändler, um einen Termin für einen Service zu vereinbaren.

Sie können den Patientenlifter für kurze Zeit weiter benutzen, bis ein Service durchgeführt wurde.

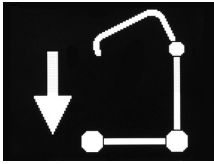


Wenn der Patientenlifter wegen einer Überlast (ein Versuch, mehr als die maximal zulässige Tragkraft anzuheben) stoppt, erscheint das Überlast-Symbol auf der LCD-Anzeige und der Patientenlifter funktioniert erst wieder, wenn die zusätzliche Last (über der maximalen zulässigen Tragkraft) abgenommen wurde.

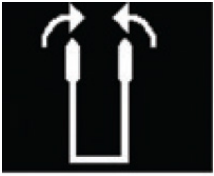
WARNUNG

Wenn die LCD-Anzeige auf Ihrem Smart Monitor eine Überlast erfasst hat, empfiehlt Joerns Healthcare, vor der weiteren Benutzung ALLE täglichen Routineprüfungen am Patientenlifter durchzuführen (eine Liste der täglichen Überprüfungen finden Sie im Benutzerhandbuch des Patientenlifters). Joerns Healthcare empfiehlt auch, dass Sie sich für weitere Informationen an Ihren autorisierten Oxford Fachhändler wenden.

Eingebaute redundante Steuerung



Mit der eingebauten redundanten Steuerung kann der Patientenlifter im Notfall angehoben oder abgesenkt werden.

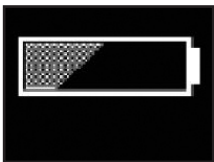


Wenn Ihr Patientenlifter mit einer elektrischen Fahrgestellpositionierung ausgestattet ist, sind redundante Bedienelemente zum Öffnen und Schließen des Fahrgestells vorhanden.

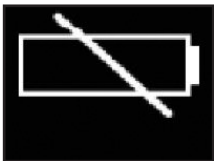
Angaben zum Akku



Wenn auf dem Display ein voller Akku angezeigt wird, heißt das, dass der Akku ganz aufgeladen und der Patientenlifter betriebsbereit ist.



Wenn auf dem Display eine halb leere Akku angezeigt wird, heißt das, dass der Akku aufgeladen werden muss.



Das Symbol mit dem leeren Akku auf dem Display zeigt an, dass der Akku ganz leer ist und sofort aufgeladen werden sollte.

⚠️ WARNUNG

Um eine mögliche Dauerschädigung des Akkus zu vermeiden, sollte der Akku aufgeladen werden, wenn das halb leere Akkusymbol auf dem Display angezeigt wird.

6. Betriebshinweise

1. Einstellen der Fahrgestellbreite

Die Breite des Fahrgestells am Oxford Presence ist elektrisch einstellbar. Das Fahrgestell kann gespreizt werden, um Sessel oder Rollstühle zu umschließen. Für den Transfer durch enge Türen und Durchgänge sollte das Fahrgestell zusammengeführt werden.

Elektrisches Einstellen der Fahrgestellbreite - Drücken Sie auf der Handbedienung die entsprechenden Tasten. Das Fahrgestell wird festgestellt, wenn der Handbedienungsschalter losgelassen wird.

2. Laufrollen und Feststellbremsen

Der Lifter besitzt zwei feststellbare Laufrollen, die beim Abstellen benutzt werden. Beim Heben müssen die Laufrollen frei und nicht festgestellt sein. Der Lifter kann sich dann zum Schwerpunkt des Lifters hin bewegen. Wenn Sie die Bremse betätigen, kann der Patient beim Heben mit festgestellten Laufrollen möglicherweise zum Schwerpunkt schwenken, was beunruhigend oder unangenehm sein kann.

3. Heben und Senken des Auslegers

Die Hubbewegung des Auslegers erfolgt durch einen leistungsstarken elektrischen Stellmotor, der mit einer einfachen Handbedienung gesteuert wird. Auf der Handbedienung befinden sich zwei Taster mit den Richtungspfeilen AUFWÄRTS und ABWÄRTS. Der Stellmotor stoppt automatisch in der oberen bzw. unteren Endlage. Die Handbedienung ist an einer Buchse unten an der Steuereinheit angeschlossen. Auf der Rückseite der Handbedienung befindet sich ein Haken, mit dem man die Handbedienung bei Nichtbenutzung am Mast oder Ausleger aufhängen kann.

4. Not-Aus-Taste

Die rote Not-Aus-Taste befindet sich auf der Vorderseite der Steuereinheit und wird durch Drücken ausgelöst. In diesem Fall wird die gesamte Stromzufuhr zum Lifter unterbrochen. Um den Not-Aus-Zustand aufzuheben, wird die Taste gegen den Uhrzeigersinn gedreht und losgelassen.

5. Elektrische Notabsenkung/-anhebung

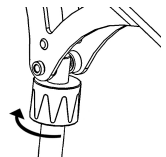
Die Taste für die Notabsenkung (Abwärts) und -anhebung (Aufwärts) befindet sich auf der Vorderseite der Steuereinheit. Sie wird ausgelöst, indem Sie eine Kugelschreiberspitze auf die mit ↑↓ gekennzeichnete Taste drücken. Mit dieser Funktion kann der Ausleger jederzeit gehoben oder gesenkt werden, wenn die Handbedienung ausfällt.

6. Redundante Steuerung

Alle Oxford Patientenlifter sind mit Tasten zum Anheben und Absenken am Steuerkasten ausgestattet. Sie befinden sich unter der Not-Aus-Taste und können beim Ausfall der Handbedienung zum Absenken/Anheben des Patienten verwendet werden.

7. Mechanische Notabsenkung

Für den Fall eines kompletten Stromausfalls ist der elektrische Verstellmotor mit einem federunterstützten mechanischen Senkmechanismus (ROTER KNOPF) ausgestattet. Der Mechanismus funktioniert nur, wenn der Patientenlifter unter Last steht. Um ihn zu aktivieren, muss die Vorrichtung von Hand gedreht und losgelassen werden. Der Patientenlifter wird dann langsam abgesenkt. Wiederholen Sie den Vorgang, bis der Patient sicher unten angekommen ist.



⚠️ WARNUNG

Wenn diese Funktion benutzt wurde, MUSS der Patientenlifter danach von einem Fachmechaniker überprüft werden.

8. Akkus

Die Akkus werden durch einen LADEZUSTANDSALARM vor zu starker Entladung geschützt. Dieser Alarm ertönt bei Betätigung der Handbedienung, wenn die Akkus aufgeladen werden müssen. Der Alarmton wird nur dann ausgelöst, wenn die Handbedienung betätigt wird. **DIESER ALARM IST UNBEDINGT ZU BEACHTEN.** Führen Sie den Hebevorgang zu Ende und laden Sie die Akkus auf (siehe „Aufladen der Akkueinheit“).

9. Gurte

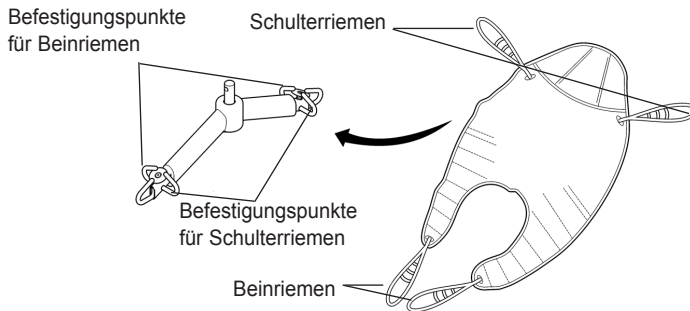
Der Oxford Presence bietet die Wahl zwischen einem Sechspunkt- Spreizbügel und einem Vierpunkt-Rahmen. Diese beiden Systeme verwenden verschiedene Befestigungsmethoden und Gurte.

Das Sechspunktsystem verwendet Gurte mit Gurtschlingen, die ein Einstellen der Position durch die Auswahl verschiedenfarbiger Schlingen ermöglichen. Das Vierpunktsystem verwendet das System der Securir3-Sicherheitsclips. Es wird durch Drehen des Vierpunkt-Rahmen eingestellt.

Schleifenriemengurte: Oxford Quickfit, Full Back, Quickfit Deluxe, Long Seat, Access und Silkfit

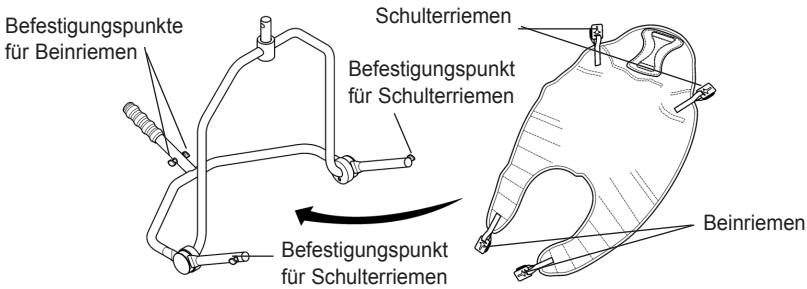
Sicherheitsclipgurte: Oxford Comfort

Das Sechspunktsystem wird an den Haken des Hebebügels mit Schleifenriemen befestigt (siehe unten). Für jeden Gurt werden spezielle Anweisungen mitgeliefert. Lesen Sie bitte vor Gebrauch die Anweisungen.

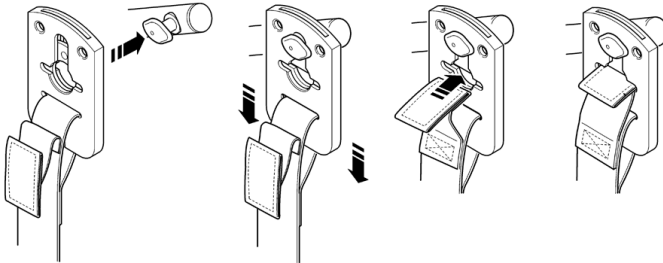


Sechspunkt-Spreizbügel; Beispiel für Sechspunkt-Spreizbügelgurt mit Befestigung durch Schleifen.

Das Vierpunkt-Rahmengurt wird an den Ständer des Hehebügels mit einem Sicherheitsclipsystem befestigt (siehe unten). Für jeden Gurt werden spezielle Anweisungen mitgeliefert. Lesen Sie bitte vor Gebrauch die Anweisungen.



Vierpunkt-Rahmensystem; Beispiel für Vierpunkt-Rahmengurt mit Sicherheitsclipsystem.



Securi3 Schlingenbefestigungssystem. Installationsbeispiel.

HINWEIS: Für detaillierte Anleitungen zur Befestigung siehe die Bedienungsanleitung für die Gurte.

⚠️ WARNUNG

Joerns Healthcare empfiehlt, die Gurte regelmäßig und vor dem Gebrauch auf Ausfransen oder andere Schäden zu prüfen. Verwenden Sie KEINE Gurte, die abgenutzt oder beschädigt sind.

⚠️ WARNUNG

OXFORD EMPFIEHLT DIE VERWENDUNG VON ORIGINAL OXFORD-TEILEN. Bespannungen und Lifts von Oxford sind frei miteinander kombinierbar. Länderspezifische Angaben zur Bespannung und Kompatibilität finden Sie im Etikett der Bespannung oder wenden Sie sich an Ihren örtlichen Händler oder an Joerns Healthcare.

⚠️ WARNUNG

Bitte beachten Sie die maximale Tragfähigkeit des Lifters. Die Kapazität der Gurte ist durch die maximale Tragfähigkeit des Lifters begrenzt.

7. Entfernen der Sechspunkt-Spreizbügelssysteme und Vierpunkt-Rahmen

DIESE ANWEISUNGEN BITTE GENAU BEFOLGEN

Ihr Presence-Patientenlifter kann sowohl mit einem Sechspunkt- wie auch einem Vierpunkt-system verwendet werden. Diese Systeme lassen sich mit Hilfe eines Schnellauslösestifts leicht entfernen. Dies lässt sich zwar schnell und einfach durchführen, Sie müssen jedoch die folgenden Sicherheitsanweisungen durchlesen, um sicherzustellen, dass der Spreizbügel/Rahmen vor Gebrauch sicher eingerastet ist.

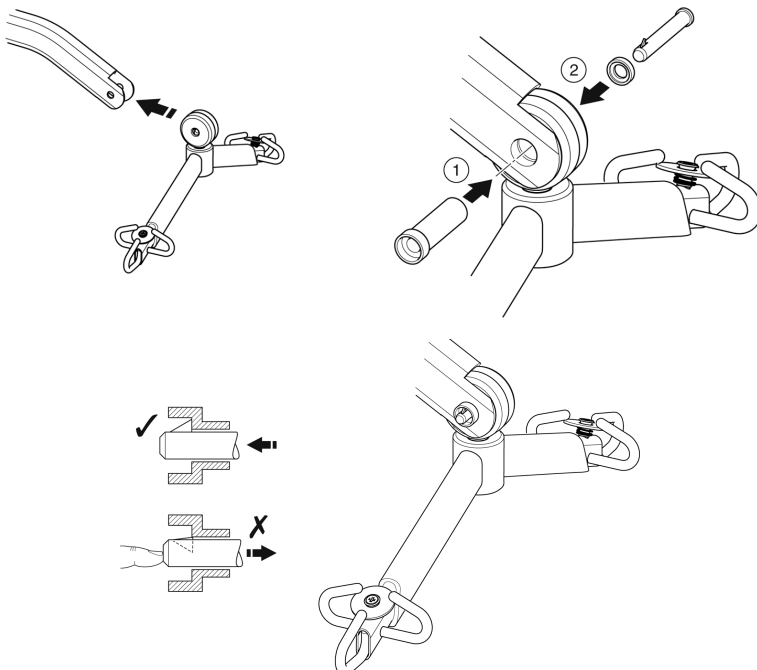
BEFESTIGUNG

Zur Befestigung den Spreizbügel/Rahmen zum Auslegerschlitze hin anheben.

Stiftbuchse zur Unterstützung den Spreizbügel/Rahmen durch die Plastikendkappe einsetzen.

Nach korrekter Ausrichtung im Auslegerschlitze den Schnellauslösestift bis zum Einrasten wieder vollständig in die Buchse einsetzen. SIE MÜSSEN ÜBERPRÜFEN, DASS DER STIFT SICHER BEFESTIGT IST.

Dazu den Finger in das gezahnte Ende drücken. Bleibt der Stift in seiner Position, kann der Lifter sicher genutzt werden.

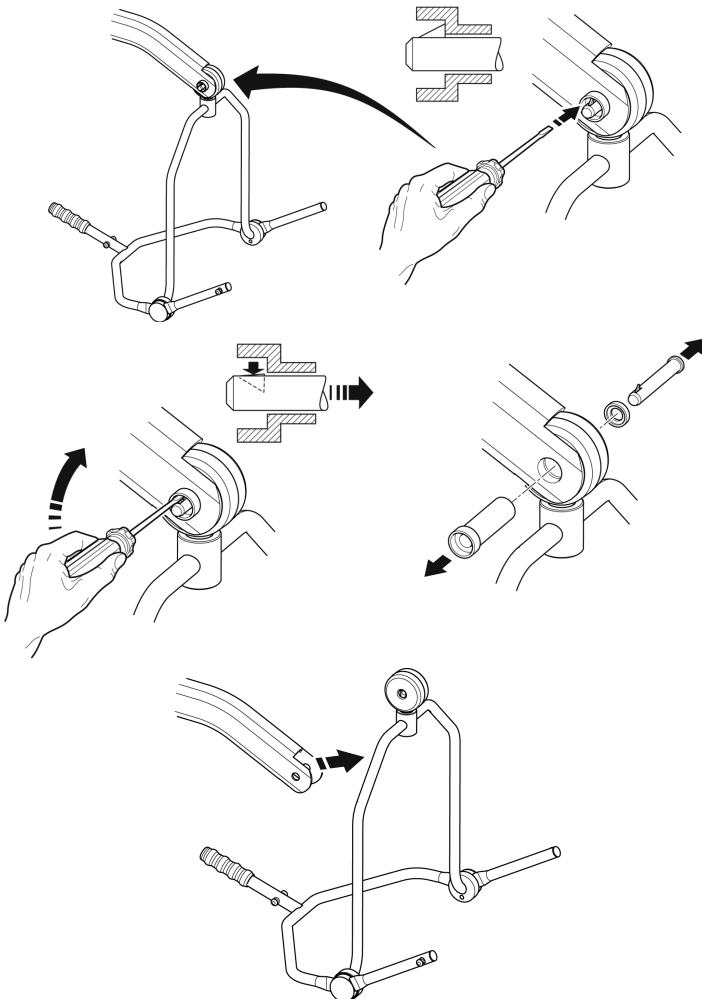


ENTFERNEN

VORSICHT: Stellen Sie sicher, dass Sie das Gewicht der Querstange stützen/Rahmen, bevor Sie den Stift entfernen.

Um den Stift zu entfernen, die Steckfeder (mit Hilfe eines Flachschaubenziehers oder eines ähnlichen Werkzeugs) eindrücken und den Stift herausziehen.

Spreizbügel/Rahmen unterstützen und die Stiftbuchse in die entgegengesetzte Richtung ziehen, wobei sie vollständig vom Ausleger entfernt wird. Dadurch wird der Spreizbügel vollständig freigegeben.



8. Aufladen der Akkueinheit

Die Akkus befinden sich in der Akkueinheit und werden über eine externe Tischladeeinheit aufgeladen.

Wenn die Akkueinheit aufgeladen werden muss, wird sie vom Lifter entfernt und an eine externe Ladeeinheit angeschlossen.

Joerns Healthcare Ltd empfiehlt, eine Ersatz-Akkueinheit zu kaufen, sodass eine Einheit ständig geladen sein kann.

1. Entfernen Sie die Akkueinheit aus dem Lifter. Die Einheit ist mit einem einfachen Verschluss befestigt, der sich oben auf der Akkueinheit befindet. Wenn Sie den Verschluss anheben, wird die Akkueinheit freigegeben.
2. Schließen Sie die Akkueinheit an die Ladeeinheit an. Die Position und Befestigung der Akkueinheit an der Ladeeinheit ist dieselbe wie am Lifter.
3. Stecken Sie den Netzstromstecker des Ladegeräts in eine geeignete Netzsteckdose, und schalten Sie die Stromversorgung EIN.
4. Der Ladevorgang erfolgt automatisch, und die Akkus werden innerhalb acht bis zwölf Stunden vollständig aufgeladen. **Hinweis:** Auch wenn das Ladegerät längere Zeit angeschlossen bleibt, sind die Akkus vor Überladung geschützt.
 - a) Grünes Licht - Zeigt an, dass es eingeschaltet ist.
 - b) Gelbes Licht - Zeigt an, dass die Batterie geladen wird.
 - c) Batterie ist ganz aufgeladen, wenn das gelbe Licht ausgeht.

Hinweis: Der Ladevorgang dauert bis zu 4 Stunden.

Es wird empfohlen, die Batterie sofort nach dem Empfang aufzuladen.

5. Um den Lifter wieder in Betrieb zu nehmen, schalten Sie die Stromversorgung AUS und entfernen Sie die Akkueinheit vom Ladegerät. Setzen Sie die Akkueinheit in den Lifter ein und vergewissern Sie sich, dass der Verschluss, der die Einheit an ihrem Platz hält, vollständig eingerastet ist. Die Einheit muss mit einem klickenden Geräusch einrasten. Das Aufladen elektrischer Oxford Lifter ist einfach und direkt, aber es ist wichtig, die Ladeanweisungen genau zu befolgen. Beachten Sie bitte die folgenden Punkte, die Ihnen dabei helfen, Probleme mit entladenen Akkus zu vermeiden.

WARNUNG

- **Akku, Ladegerät, Handsteuerung und Steuereinheit dürfen NUR von autorisiertem Personal geöffnet werden. (Wenden Sie sich wegen Garantie und Reparaturen an Ihren Fachhändler).**
- **Die Akkupole/Pole des Ladegeräts NICHT berühren.**
- **Die Akkus IMMER ganz aufladen. Lassen Sie die Akkueinheit immer aufladen, wenn sie nicht benutzt wird. Wenn es für Sie einfacher ist, laden Sie sie jede Nacht auf. Das Ladegerät schützt die Akkueinheit vor dem Überladen.**
- **Die Akkus NIE ganz entladen lassen. Sobald das Alarmsignal ertönt, den Hebevorgang zu Ende führen und die Akkus aufladen.**

- Um eine mögliche Dauerschädigung des Akkus zu vermeiden, sollte der Akku aufgeladen werden, wenn das halb leere Akkusymbol auf dem Display angezeigt wird.
- Den Akku **IMMER** in regelmäßigen Abständen nachladen, wenn er für längere Zeit nicht verwendet wird.
- **STETS** darauf achten, dass die Netzspannung zum Ladegerät ausgeschaltet ist, bevor das Akkupaket angeschlossen oder abgenommen wird.
- Das Akkupaket **NIE** am Ladegerät angeschlossen lassen, wenn die Netzspannung zum Ladegerät ausgeschaltet ist.
- **DAS LADEGERÄT NICHT** eingeschaltet lassen, wenn der Akku nicht angeschlossen ist.
- **DEN PATIENTENLIFTER WÄHREND DES LADEVORGANGS NICHT** benutzen.
- **ÜBERPRÜFEN** Sie vor dem Verfahren, dass der Patientenlifter nicht aufgeladen wird, da der elektrische Anschluss sonst dadurch beschädigt werden kann.
- **DAS LADEGERÄT KEINESFALLS** durch Ziehen am Kabel ausstecken.
- **ACHTEN SIE DARAUF**, dass Sie nicht über das Ladekabel stolpern.
- **LADEN SIE ELEKTRISCHE PATIENTENLIFTER NICHT** in Bädern oder Duschräumen auf.

9. Wartungsplan und Tägliche Prüfliste

Alle Oxford Produkte sind so konzipiert, dass sie nur ein Minimum an Wartung benötigen. Einige Sicherheitsprüfungen und -prozeduren sind jedoch unerlässlich. Im Folgenden sind die TÄGLICH auszuführenden Aufgaben aufgeführt. Tägliche Überprüfungen und alle sechs Monate Wartung, Inspektion und Prüfung gewährleisten, dass ein Lifter in optimalem, sicherem Funktionszustand bleibt. Eine Liste der Ersatzteile erhalten Sie auf Anfrage.

Die BELASTUNGSPRÜFUNG und -zertifizierung sollte nur von qualifiziertem Personal oder von autorisierten Servicevertretern / Händlern durchgeführt werden.

TÄGLICHE PRÜFLISTE: Joerns Healthcare empfiehlt dringend, dass der Lifter täglich vor der Benutzung auf folgende Punkte überprüft wird:

- VERGEWISSERN SIE SICH, dass sich der Lifter frei auf den Laufrollen bewegen kann.
- VERGEWISSERN SIE SICH, dass der Spreizbügel frei drehbar und schwenkbar ist. Der Spreizbügel muss fest am Ausleger angebracht sein.
- PRÜFEN Sie Gurthaken am Spreizbügel und Seitenaufhängungen auf übermäßigen Verschleiß. Im Zweifelsfall nicht verwenden.
- PRÜFEN Sie Gurte auf Ausfransungen und andere Schäden. Beschädigte Gurte dürfen NICHT verwendet werden.
- VERGEWISSERN SIE SICH, dass das Fahrgestell sich einwandfrei öffnet und schließt.
- Betätigen Sie Handbedienung um sicherzustellen, dass sich der Ausleger einwandfrei hebt und senkt.
- PRÜFEN Sie, ob am Lifter ein Ladezustandsalarm vorliegt, wenn die Handbedienung betätigt wird (nur Elektro-Ausführung). Wenn der Alarm ertönt, darf der Lifter NICHT verwendet werden und muss sofort aufgeladen werden.
- Prüfen Sie die Funktionsfähigkeit des Not-Aus-Tasters (nur bei Elektro-Ausführung).

WARTUNG, INSPEKTION UND PRÜFUNG

Joerns Healthcare empfiehlt eine regelmäßige gründliche Inspektion und Prüfung des Oxford Presence Lifters und der Zubehörteile (Gurte, Waagen usw.). Die Häufigkeit der Inspektionen ist je nach Einsatzort unterschiedlich, d.h., Sie müssen sich bei Ihrem Händler oder bei der zuständigen Behörde vor Ort erkundigen, wie oft eine Inspektion durchgeführt werden muss. Die Untersuchung und der Test müssen nach den in diesem Handbuch angegebenen Empfehlungen und Verfahrensweisen durchgeführt werden. Joerns Healthcare empfiehlt, dass Wartung, Inspektion und zertifizierte Prüfungen nur von autorisierten Servicevertretern / Händlern durchgeführt werden.

HINWEIS: Diese Empfehlungen entsprechen den Vorschriften für Großbritannien und Nordirland gemäß No2307 Health and Safety: The Lifting Operations and Lifting Equipment Regulations 1998 (Vorschriften zur Arbeitssicherheit für Hebevorgänge und Lifter). Außerhalb von Großbritannien und Nordirland gelten die Vorschriften des jeweiligen Landes.

10. Technische Daten

Zulässige Belastung	500 lbs	227 kgs
Maximale Gesamtlänge.....	57,5 Zoll	1460 mm
Minimale Gesamtlänge.....	55,1 Zoll	1400 mm
Maximale Gesamthöhe	81,3 Zoll	2065 mm
Minimale Gesamthöhe	57,5 Zoll	1460 mm
Spreizbügel, maximale Höhe	75,2 Zoll	1910 mm
Spreizbügel, minimale Höhe	16,9 Zoll	430 mm
Höhe bei maximaler Reichweite.....	51,5 Zoll	1310 mm
Reichweite bei maximaler Höhe.....	25,6 Zoll	650 mm
Reichweite bei minimaler Höhe.....	15,7 Zoll	400 mm
Maximale Reichweite	36,6 Zoll	930 mm
Wenderadius	64,2 Zoll	1630 mm
Fahrgestell, gespreizt – Äußere Breite.....	45,2 Zoll	1150 mm
Fahrgestell, gespreizt – Innere Breite	40,1 Zoll	1020 mm
Fahrgestell, geschlossen – Äußere Breite	26,4 Zoll	670 mm
Fahrgestell, geschlossen – Innere Breite.....	21,6 Zoll	550 mm
Gesamthöhe des Fahrgestells	4,7 Zoll	120 mm
Bodenabstand	1,4 Zoll	35 mm
Doppelaufrollen vorne	4 Zoll	100 mm
Laufrollen mit Feststellbremse hinten	4 Zoll	100 mm

*Reichweite = Mitte Spreizbügel bis Vorderseite Mast

Vierpunktgestell (Messung bis zum oberen Ende der Passstifte)

Max. Höhe des Gestells	61 Zoll	1550 mm
Min. Höhe des Gestells (nutzbar).....	15,4 Zoll	390 mm

Gewicht

Mast, Fahrgestell, Ausleger.....	81,4 lbs	37 kgs
(inkl. 2-Punkt-Spreizbügel)		
Akkueinheit.....	6,6 lbs	3 kgs
Gesamt.....	88 lbs	40 kgs
Fahrgestell (ohne Akku)	44 lbs	20 kgs
Mast und Ausleger (ohne Akku).....	37,4 lbs	17 kgs
Vierpunktgestell.....	13,2 lbs	6 kgs

Alle Maßangaben mit +5/-5 Grad Toleranz.

***DIESE PRÜFUNGEN SOLLTEN UMFASSEN:**

	Anfangs	Vor dem Gebrauch	Wartungsintervalle
1. SPREIZBÜGEL: Vergewissern Sie sich, dass der Spreizbügel frei dreh- und schwenkbar ist. Prüfen Sie den zentralen Stift auf Verschleiß. Prüfen Sie, dass der Stift fest mit dem Ausleger verbunden ist.	✓	✓	✓
2. AUSLEGER: Prüfen Sie die Verbindung von Ausleger und Mast. Stellen Sie sicher, dass der Ausleger sich nur geringfügig seitlich bewegen und sich frei im Lager des Auslegers drehen kann.	✓	✓	✓
3. MAST: Prüfen Sie die Funktion des Mast-Feststellknopfes. Achten Sie darauf, dass der Mast in der entsprechenden Buchse einrastet. Prüfen Sie den unteren Stellmotor.	✓	✓	✓
4. STELLMOTOR: Der Stellmotor muss, abgesehen vom Prüfen auf korrekten Betrieb und außergewöhnliche Geräusche, nicht gewartet werden.			✓
5. SMART MONITOR: Überprüfen Sie die Funktion der Not-Aus-Taste. Überprüfen Sie, dass der richtige Anschluss in die Buchse an der Handbedienung eingesteckt ist. Überprüfen Sie die Funktion der Handbedienung. Überprüfen Sie die redundanten Bedienelemente und dass sie ordnungsgemäß funktionieren.	✓	✓	✓
6. AKKUS: Die Akkus befinden sich in der Akkueinheit und müssen, abgesehen vom regelmäßigen Aufladen (siehe „Aufladen der Akkueinheit“), nicht gewartet werden. Achten Sie darauf, dass die Anschlüsse sauber bleiben.			✓
7. EINSTELLEN DER FAHRGESTELLBREITE: Prüfen Sie, dass das Fahrgestell nach innen und nach außen in vollem Umfang verstellt werden kann.	✓	✓	✓
8. LAUFROLLEN: Prüfen Sie, dass die Laufrollen fest mit dem Fahrgestell verbunden sind. Vergewissern Sie sich, dass die Laufrollen frei beweglich sind.	✓	✓	✓
9. REINIGUNG: Verwenden Sie zum Reinigen herkömmliche Seife und Wasser und/oder Desinfektionsmittel für harte Oberflächen. Starke chemische Reinigungsmittel oder Scheuermittel sollten nicht verwendet werden, da diese die Oberfläche des Lifters angreifen. Setzen Sie die elektrischen Teile keiner Feuchtigkeit aus.		✓	✓
10. BELASTUNGSPRÜFUNG: Die Belastungsprüfung sollte gemäß den Prüfverfahren des Herstellers durchgeführt werden. Es wird eindringlich empfohlen, dass die Prüfungen nur von autorisierten Servicevertretern durchgeführt werden.			✓
11. FAHRGESTELL UND ROLLEN: Vergewissern Sie sich, dass das Fahrgestell auf glattem, ebenem Boden steht. (alle vier Rollen haben Bodenkontakt)	✓	✓	✓
12. GURTE: Prüfen Sie auf Verschleiß und Ausfransen.	✓	✓	✓
13. SCHMIERUNG: Schmieren Sie alle Drehgelenke, einschließlich Mast- und Auslegeranschlüsse, Pedal, Spreizbügelgelenk (nur nach Bedarf).			✓
14. HANDBEDIENUNG: Vergewissern Sie sich, dass sie vollständig in die Steuerung gesteckt ist.	✓	✓	
15. SCHNELLVERSCHLUSSSTIFT: Stellen Sie vor dem Heben sicher, dass der Stift fest sitzt, indem Sie auf das spitze Ende drücken.	✓	✓	
16. BEFESTIGUNGSTEILE: Überprüfen Sie alle Muttern, Schrauben, Bolzen und Verbindungselemente auf übermäßige Abnutzung und festen Sitz. Bei Bedarf austauschen.			✓

ANGABEN ZUR ELEKTRIK

AKKUS	24 V, aufladbar, geschlossene Blei/Säure-Akkus
AKKUKAPAZITÄT	3,2 Ah
EINGANGSSPANNUNG DES LADEGERÄTS (NENNWERT)	230VAC 50/60Hz
AUSGANGSSPANNUNG DES LADEGERÄTS (NENNWERT).....	27,4/29,0 VDC@0,8A

SCHUTZ GEGEN STROMSCHLAG

LADEGERÄT.....	KLASSE II
PATIENTENLIFTER.....	INTERNE STROMQUELLE

STOSSFESTIGKEIT

LADEGERÄT.....	TYP B
PATIENTENLIFTER.....	TYP B

UMGEBUNGSBEDINGUNGEN

Außerhalb dieser Umgebungsbedingungen können Funktionsfähigkeit und Sicherheit unter Umständen beeinträchtigt werden.

BETRIEB

TEMPERATUR.....	>+5°C <+40°C
LUFTFEUCHTIGKEIT	20% - 90% @ 30°C (nicht kondensierend)
LUFTDRUCK.....	700 - 1060 hpa

LAGERUNG

TEMPERATUR.....	>-10°C <+50°C
LUFTFEUCHTIGKEIT	20% - 90% @ 30°C (nicht kondensierend)
LUFTDRUCK.....	700 - 1060 hpa

IP SCHUTZKLASSEN

STUERKASTEN.....	IPX4
VERSTELLMOTOR.....	IPX4
EXTERNER LADEGERÄT	IPX5
BATTERIE	IPX5
HANDBEDIENUNG.....	IPX5

EINSCHALTDAUER

VERSTELLMOTOR.....	10% (2 Min. / 18 Min.)
LADEGERÄT.....	4 Stunden (ca.)

AKUSTIK

A-BEWERTETER SCHALLDRUCKPEGEL.....	64dB
------------------------------------	------

WICHTIGE SYMBOLE:

Die folgenden Symbole werden am Ladegerät, am Steuerkasten und am Akku verwendet:



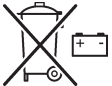
Medizinisches elektrisches Gerät, Typ B, gemäß EN 60601-1



Geräte der Klasse 2



Das Ladegerät und der Steuerkasten dürfen nicht als Hausmüll entsorgt werden



Die Akkus dürfen nicht als Hausmüll entsorgt werden.



Die elektronischen Bauteile dürfen nicht als Hausmüll entsorgt werden.



Für den Gebrauch im Haus



ACHTUNG, siehe die beigefügten Unterlagen

WEEE-Registriernummer der Hersteller: WEE/GG0464RZ

11. Garantie

Joerns Healthcare verfügt über ein Netz von autorisierten Fachhändlern und Kundendienstvertretungen, die Ihre Anfragen in Bezug auf Kauf, Garantie, Reparaturen und Wartung gerne beantworten. Wir empfehlen, die Inbetriebnahme unserer Produkte von Ihrem autorisierten Fachhändler oder Ihrer Kundendienstvertretung durchführen zu lassen.

Der Fachhändler oder die Kundendienstvertretung sind für das Garantieprogramm zuständig, deshalb ist es wichtig, dass Sie Namen, Adresse und Telefonnummer notieren, damit Sie sich an diesen bzw. diese wenden können, falls ein Problem auftritt. Wenn Sie sich nicht sicher sind, wo Ihr Patientenlifter gekauft wurde, teilen Sie Joerns Healthcare die Seriennummer des Patientenlifters mit und wir finden den Lieferanten für Sie.

Alle Garantieansprüche sind von der ordnungsgemäßen Benutzung und Wartung gemäß dem Benutzerhandbuch abhängig, das mit allen Patientenliftern mitgeliefert wird. Die Garantie gilt nicht für Schäden, die durch die Benutzung in ungeeigneten Umgebungsbedingungen oder dadurch verursacht wurden, dass die Wartung nicht gemäß dem Benutzer- und Wartungshandbuch durchgeführt wurde. Die Ihnen zustehenden gesetzlichen Rechte bleiben davon unberührt.

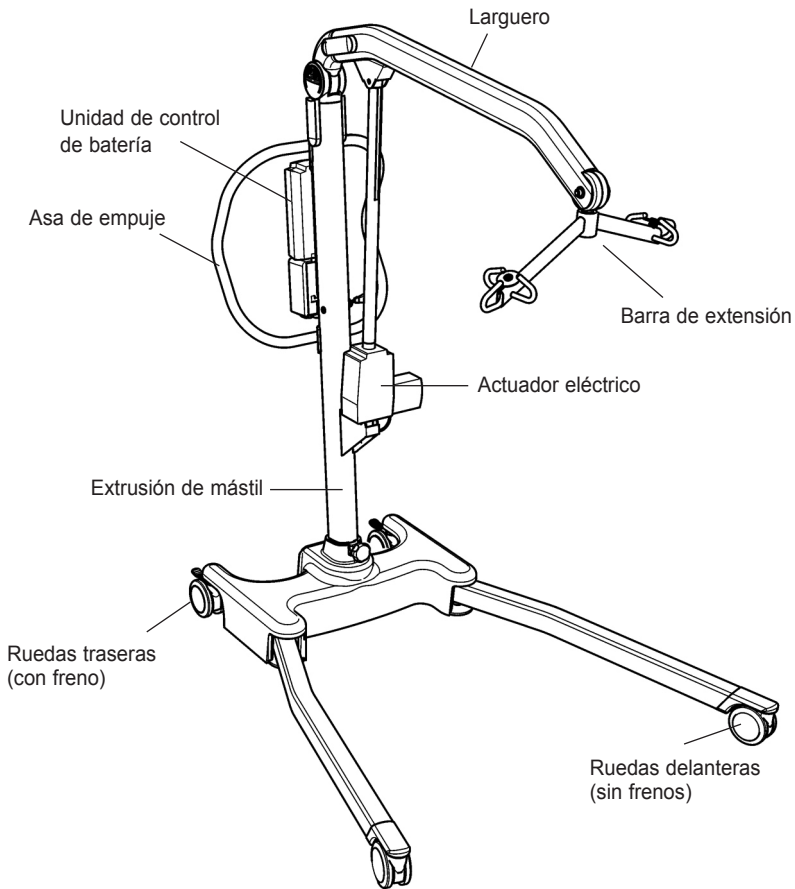
DENKEN SIE DARAN: Wenden Sie sich für Käufe, Reparaturen, Wartung und zertifizierte Wartung immer an Ihren autorisierten Fachhändler oder an Ihre Kundendienstvertretung.

Ihr Vertriebspartner:

Índice

1. El elevador de pacientes Oxford Presence	83
2. Introducción: Generalidades sobre el elevador	84
3. Instrucciones de montaje y encargo	85
4. Precauciones de seguridad.....	89
5. Monitor Smart y control de mano.....	91
6. Instrucciones de funcionamiento.....	95
7. Remoción de sistemas de barra espaciadora/percha	99
8. Instrucciones para la carga.....	101
9. Plan de mantenimiento y lista de comprobación diaria	103
10. Especificaciones técnicas	105
11. Garantía	108

1. El elevador de pacientes Oxford Presence



2. Introducción: Generalidades sobre el elevador

Presence está completamente montado, y ha sido verificado y certificado antes de ser embalado y enviado.

El embalaje consiste en una caja de cartón resistente, hecha a medida, que se utiliza tanto para los envíos nacionales como para las exportaciones para asegurar que el equipo llegue intacto a su destino. Con cada elevador se envía una bolsa con varios documentos; esta bolsa debe conservarse para consultas futuras.

- CERTIFICADO DE VERIFICACIÓN
- MANUAL DEL USUARIO
- TARJETA DE GARANTÍA DEL PROVEEDOR
- TARJETA DE SATISFACCIÓN DEL CLIENTE

El CERTIFICADO DE PRUEBA es un documento importante y será necesario para sus registros de seguro. Tiene una validez de seis meses. Después de haber vencido este plazo deberá verificarse el elevador y realizarle el mantenimiento según el programa de mantenimiento. El mantenimiento y las verificaciones periódicas puede llevarlas a cabo su proveedor autorizado. Por favor, asegúrese de que el elevador está incluido en los planes de mantenimiento de su proveedor. Si no está seguro de cuáles son los requisitos de mantenimiento en su área geográfica, consulte con su proveedor y/o con una oficina de la administración local.

La marca CE: El Oxford Presence lleva la marca CE y cumple con las siguientes directivas de la CE:



- Directiva de Dispositivos Médicos (93/42/EEC)
- Directiva EMC (89/336/EEC)
- Directiva de bajo voltaje (73/23/EEC)

Declaración de uso al que está destinado

El uso previsto para este dispositivo es la elevación y transferencia seguras de un individuo de una superficie de descanso a otra (como de una cama a una silla de ruedas, por ejemplo). Joerns Healthcare recomienda que la transferencia de pacientes se lleve a cabo posteriormente a una evaluación de riesgos, y de manera segura, en una breve distancia solamente.

El sistema Oxford Presence es un dispositivo de elevación de pacientes accionado de manera eléctrica, diseñado para apoyar y promover el manejo y transferencia seguros del paciente, tanto para el individuo que está siendo transportado como para la persona a cargo.

El elevador de pacientes Oxford Presence incorpora una barra extensora de seis puntos y está diseñado para ser utilizado con la amplia gama de arneses Oxford. La opción de cuna de 4 puntos está disponible como un accesorio adicional.

El Oxford Presence es adecuado para pacientes en las siguientes posiciones: SENTADO, SENTADO/RECOSTADO y RECOSTADO. A continuación, presentamos una lista de eslingas compatibles con este dispositivo:

- Oxford Quickfit
- Oxford Access
- Oxford Full Back
- Oxford Comfort
- Oxford Quickfit Deluxe
- Oxford Silkfit
- Oxford Long Seat

Vida útil estipulada previa al mantenimiento:

Los elevadores profesionales Oxford están diseñados y evaluados para durar un período mínimo de diez (10) años previamente a efectuarse algún tipo de mantenimiento, dependiendo del uso y cumplimiento con las tareas de mantenimiento establecidas en este manual. El uso diferente al establecido en estas instrucciones, podría comprometer la vida útil del producto.

3. Instrucciones de montaje y encargo

Coloque la caja en una zona de trabajo despejada y ábrala con cuidado. La caja contiene:

- ELEVADOR OXFORD PRESENCE
- BOLSA CONTENIENDO DOCUMENTOS
- CONTROL DE MANO
- UNIDAD DE BATERÍA
- DIODO DE CARGA
- CARGADOR/SOPORTE DE SOBREMESA

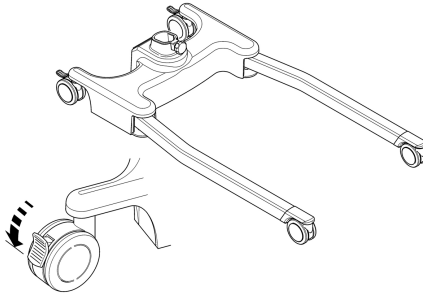
⚠ ADVERTENCIA

El Oxford Presence es pesado y habrá que tener cuidado al levantarlo. Puede que necesite ayuda para sacar el Oxford Presence de la caja.

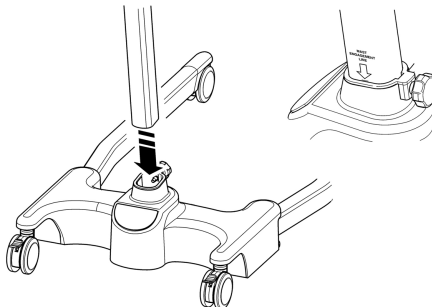
Montaje

1. Retire todas las piezas de la caja y colóquelas en el suelo, con cuidado de evitar que el equipo sufra daños en su superficie.

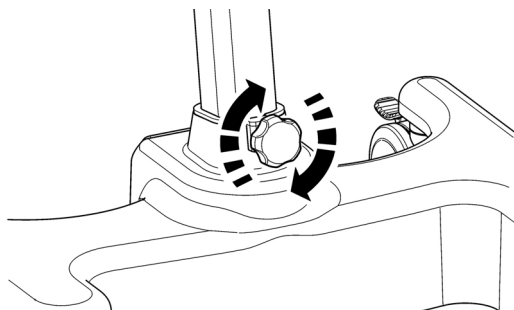
Coloque el chasis en un espacio despejado y aplique los frenos traseros.



2. Coloque el conjunto de mástil y pluma en el alojamiento del chasis.



3. Apriete el conjunto de mástil con el dispositivo de bloqueo del mástil, que está situado en la parte delantera del chasis.

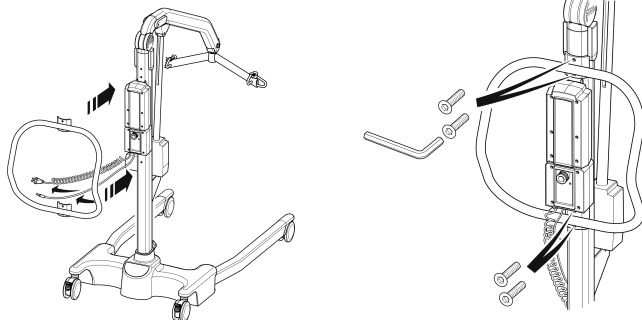


⚠ ADVERTENCIA

Evite que queden atrapados sus dedos. Mantenga los dedos alejados del extremo del mástil al insertarlo en el alojamiento del chasis. La etiqueta en el lateral del mástil indica el acoplamiento completo del mástil. El funcionamiento de la pata eléctrica no se producirá a no ser que el mástil esté completamente acoplado.

4. Gire el botón de bloqueo y apriételo con la mano
5. Alinear el ensamblaje de la empuñadura con la parte posterior del mástil y adherirlo utilizando las piezas de fijación proveídas. Las piezas de fijación y la llave de tuercas necesarias para adherir la empuñadura se encuentran, por razones de seguridad, en la carpeta de instrucciones.

NOTA: Cuando adhiera la empuñadura al mástil asegúrese de que antes de adherirla todos los cables móviles queden fuera de la empuñadura.



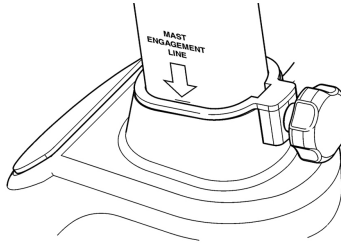
6. Ponga el paquete de alimentación eléctrica en la grúa y cierre el pestillo que asegura el paquete para que éste no se mueva. Hará un sonido de "clic" cuando esté cerrado.

DESMONTAJE

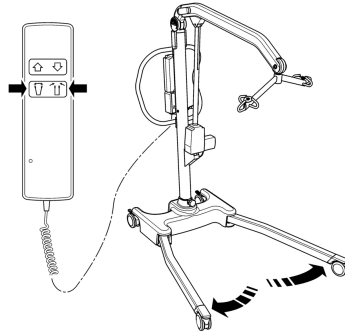
El elevador no debe desmontarse excepto para su mantenimiento, reparación y transporte si fuera necesario. Para ello, siga las instrucciones de montaje en orden inverso.

VERIFIQUE SIEMPRE LO SIGUIENTE ANTES DEL FUNCIONAMIENTO

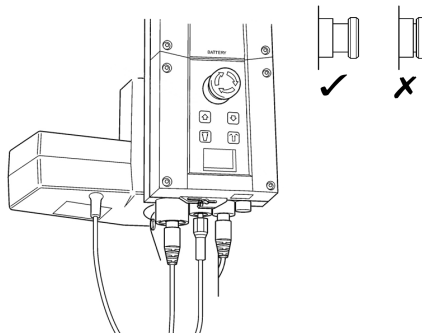
- El mástil está completamente bloqueado en su posición.



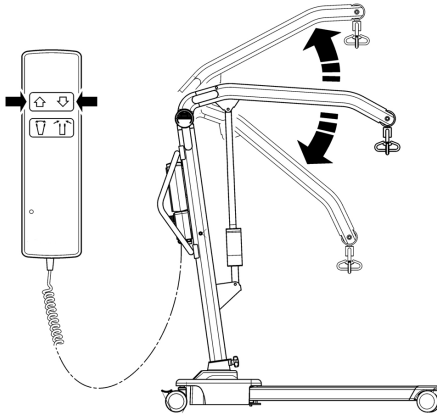
- Las patas del elevador se abren y cierran satisfactoriamente. (Esto se realiza mediante el control de mano).



- El botón rojo de emergencia, situado en la parte posterior del cuadro de control, está en posición OFF (apagado).



- Pulse los botones hacia arriba y hacia abajo del control de mano y confirme que el larguero sube y baja.



4. Precauciones de seguridad

Por favor, lea y siga las precauciones de seguridad que figuran más abajo. El funcionamiento y uso del elevador para pacientes Oxford es sencillo y fácil de comprender. Siguiendo estas precauciones básicas de seguridad, las operaciones de elevación serán fáciles y no causarán problemas.

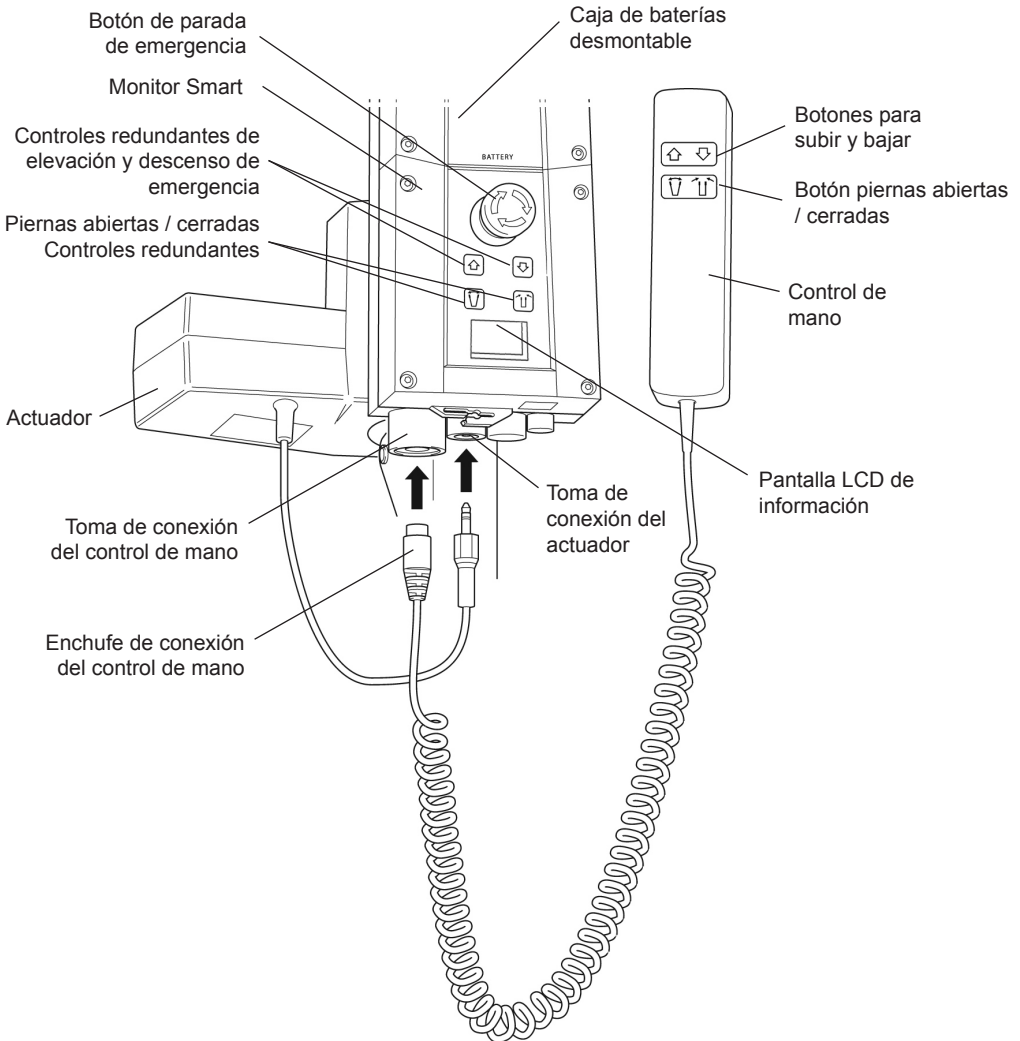
LEA Y COMPRENDA EL MANUAL DE INSTRUCCIONES DEL USUARIO ANTES DE UTILIZAR SU ELEVADOR “PRESENCE”

ADVERTENCIA

- SIEMPRE planifique sus operaciones de elevación antes de comenzar.
- SIEMPRE verifique la LISTA DE COMPROBACIÓN DIARIA (página 105) antes de utilizar el elevador.
- SIEMPRE familiarícese con el control de funcionamiento y características de seguridad de un elevador antes de levantar a un paciente.
- NO utilice una eslinga a no ser que esté recomendada para su uso con el elevador.
- Verifique SIEMPRE que la eslinga es adecuada para el paciente en particular y que su tamaño y capacidad son correctos.
- No utilice NUNCA una eslinga si está deshilachada o presenta signos de daño.
- Encaje SIEMPRE la eslinga de acuerdo con las instrucciones que se indican (instrucciones del usuario).
- SIEMPRE compruebe que la carga de trabajo de seguridad del elevador es adecuada para el peso del paciente.
- SIEMPRE lleve a cabo las operaciones de elevación de acuerdo con las instrucciones en el manual del usuario.
- NUNCA desconecte o deje de realizar un control de seguridad o característica de seguridad porque parezca más fácil para el funcionamiento del elevador.
- NO levante a un paciente con los frenos de las ruedas activados. Deje siempre que el elevador encuentre el centro correcto de gravedad.
- NO intente maniobrar el elevador empujando el mástil, el larguero o al paciente.
- SIEMPRE maniobre el elevador por el asidero.
- SIEMPRE haga descender al paciente a la posición cómoda más baja posible antes de transferirlo.
- NO empuje un elevador cargado a velocidades que superen un ritmo de caminar lento (3 kilómetros/hora, 0,8 metros/segundo).
- NO empuje el elevador sobre terreno desnivelado o rugoso. Especialmente, si está cargado.
- NO intente empujar/tirar de un elevador cargado sobre una obstrucción en el suelo, que las ruedas no sean capaces de salvar.
- NUNCA fuerce un control de funcionamiento/seguridad. Todos los controles son fáciles de utilizar y no requieren el uso de una fuerza excesiva.

- La carga **MÍNIMA** necesaria para bajar el elevador de manera manual utilizando la función mecánica de descenso de emergencia equivale a 30 kg.
- **NO** aparque un elevador cargado sobre **NINGUNA** superficie en cuesta.
- **NO** utilice elevadores eléctricos en una ducha.
- **NO** cargue un elevador eléctrico en un baño o en una ducha.
- **NO** levante a un paciente a no ser que esté entrenado y sea competente para hacerlo.
- **SU** elevador está destinado a levantar pacientes. **NO** lo utilice, ni permita que se utilice, para cualquier otro fin.
- **NO** lleve el elevador dando tumbos hacia abajo en escaleras, tanto si está cargado como si está descargado.
- **NO** intente pasar con un elevador cargado por una pendiente que supere 1:12 (aproximadamente 5 grados).
- **NO** intente pasar con el elevador por una pendiente sin que haya alguien para ayudarlo.
- **SIEMPRE** compruebe que el elevador no esté cargándose antes de moverlo, ya que la conexión eléctrica podría dañarse.

5. Monitor Smart y control de mano



Uso destinado

El monitor inteligente, Oxford Smart Monitor, es un sistema de control para los elevadores Oxford Mobile. El monitor inteligente almacena información útil sobre el mantenimiento del elevador disponible para consultar cuando sea necesario. Esta información sobre el mantenimiento incluye:

- Cantidad de ciclos de elevaciones de pacientes
- Total de trabajo ejecutado por el actuador
- Cantidad de sobrecargas de elevación (intentos de elevación por encima de la carga de trabajo máxima permitida)
- Cantidad de días desde el último intervalo de mantenimiento

El monitor Smart Oxford incorpora un microprocesador que permite leer los datos de mantenimiento a través de la pantalla LCD integrada.

Características

- Recopilación de datos en el panel de control con datos visualizados en la pantalla LCD
- Contador de trabajo
- Contador de ciclos inteligente
- Indicador de tareas de mantenimiento
- Indicador de frecuencia de mantenimiento
- Información de sobrecarga
- Indicador de nivel de carga de las baterías de tres pasos


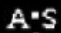


Beneficios

- Mayor seguridad tanto para el paciente como para el proveedor de cuidados
- Datos de mantenimiento precisos con solo tocar un botón
- Vida útil del producto optimizada
- Facilidad para realizar tareas de mantenimiento tanto para ingenieros como para los técnicos

Pantalla LCD

El monitor Smart Oxford incorpora un microprocesador que permite emitir la lectura de los datos de mantenimiento a través de la pantalla LCD integrada. Es posible emitir la lectura de los totales de los ciclos de elevación, los totales de trabajos realizados, de sobrecargas y la cantidad de días desde el último mantenimiento, datos que pueden utilizarse para evaluar el estado de el actuador de elevación de manera fácil y rápida.

Puede acceder a esta información pulsando durante medio segundo el botón "UP" (ARRIBA) del control de mano del usuario o el botón redundante "UP" (ARRIBA) del Monitor inteligente.

	12034	— Total de ciclos de elevación
	1257000	— Total de trabajo ejecutado (Amps * Segundos)
	7	— Cantidad de sobrecargas
	90/180	— Cantidad de días (desde el último mantenimiento) / Cantidad de días (entre mantenimientos)

Información sobre mantenimiento y uso



Quando es momento de realizar el mantenimiento, aparecerá en la pantalla el símbolo correspondiente al mantenimiento. Además, cuando está activado el control de mano del usuario, el monitor inteligente emitirá una señal sonora para avisar al usuario que se necesita una operación de mantenimiento.

El símbolo de mantenimiento aparecerá cada vez que pulse las teclas hacia arriba o abajo en el control de mano del usuario. Cuando aparezca el símbolo de mantenimiento, póngase en contacto de inmediato con su agente de servicio autorizado para organizar el mantenimiento.

Puede seguir utilizando el elevador durante un breve periodo de tiempo hasta que llevado a cabo el mantenimiento necesario.

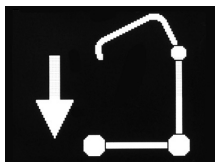


Si el elevador se detiene debido a una sobrecarga (si intenta levantar más peso de la carga máxima segura) aparecerá el símbolo de sobrecarga en la pantalla LCD y el elevador dejará de funcionar hasta que haya eliminado la carga adicional (por encima de la carga máxima segura).

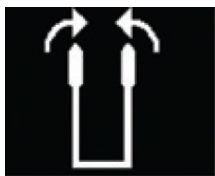
ADVERTENCIA

Si la pantalla LCD del monitor inteligente hubiese registrado una sobrecarga, Joerns Healthcare recomienda que TODAS las tareas diarias de control se lleven a cabo en el elevador antes de su utilización (para obtener una lista de controles diarios, consulte el manual de usuario del elevador). Joerns Healthcare también recomienda que se ponga en contacto con su agente autorizado de servicios Oxford para obtener más orientación.

Controles redundantes integrados



Los controles redundantes integrados permiten que el elevador suba o baje en caso de emergencia.

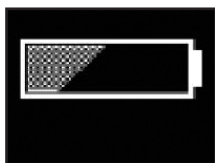


Si su sistema de elevación incorpora tecnología de posicionamiento de piernas eléctrico, hay controles redundantes tanto para abrir como para cerrar las piernas.

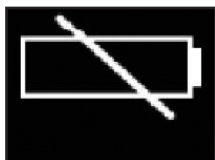
Información sobre la batería



Si aparece el icono de la batería completa, significa que la batería está completamente cargada y lista para usar.



Si aparece el icono de la batería a la mitad, significa que necesita cargar la batería.



Si aparece el icono de la batería vacía, significa que la batería carece de capacidad y debe cargarla de inmediato.

⚠ ADVERTENCIA

A fin de evitar posibles daños permanentes en la batería, debe colocar la batería a cargar en cuanto la pantalla indique el símbolo de la batería a la mitad.

6. Instrucciones de funcionamiento

1. Ajuste de las patas

Las patas del Oxford Presence son ajustables eléctricamente en cuanto a su anchura. Las patas pueden abrirse para permitir el acceso alrededor de sillas o de sillas de ruedas. Para transferir y para pasar por pasillos estrechos, las patas del elevador deben estar en posición cerrada.

Ajuste eléctrico de las patas - se consigue pulsando los botones apropiados en el control de mano. Las patas se bloquearán cuando se suelte el conmutador del control de mano.

2. Ruedas y frenos

El elevador tiene dos ruedas con frenos, que se pueden aplicar para dejarlo aparcado. Cuando se realice la elevación, las ruedas deben dejarse libres y los frenos sin aplicar. De esta forma, el elevador podrá mover el centro de gravedad conforme se realiza la elevación. Si se aplican los frenos, será el paciente el que se mueva hacia el centro de gravedad y esto puede ser desconcertante e incómodo.

3. Elevación y descenso del larguero

El movimiento del larguero se consigue mediante un potente actuador eléctrico, que está controlado por un sencillo control de mano. El control de mano tiene dos botones, con flechas direccionales ARRIBA y ABAJO. El actuador se detiene automáticamente en el límite del desplazamiento en ambas direcciones. El control de mano se enchufa en un enchufe en la base del cuadro de control. Hay un gancho en la parte posterior del control de mano, que sirve para dejarlo en el mástil o en el larguero cuando no esté en uso.

4. Parara de emergencia

El botón de parada de emergencia rojo está situado en la parte delantera del cuadro de control y se activa pulsándolo. Al pulsarlo se interrumpe la alimentación eléctrica al elevador y sólo se puede desarmar girando el botón en sentido contrario a las agujas del reloj y soltándolo.

5. Descenso/elevación eléctricos de emergencia

Los botones de descenso (down) y elevación (up) de emergencia están situados en la parte delantera del cuadro de control. Se accionan insertando la punta de un bolígrafo en el botón marcado como áâ. Esto hará que el larguero suba o baje si falla el control de mano en cualquier momento.

6. Controles redundantes

Todos los elevadores Oxford están equipados con botones de elevación y descenso en el panel de control. Estos están ubicados debajo del botón de parada de emergencia y se pueden utilizar para bajar o subir al paciente si se produjese un fallo en el control de mano.

7. Descenso mecánico de emergencia

En caso de producirse un fallo eléctrico total, el actuador eléctrico contiene un dispositivo de descenso mecánico activado con muelles (CUBO ROJO). Este dispositivo solo podrá activarse cuando el elevador tenga carga. Para activarlo, tiene que hacerlo girar a mano y soltarlo. Esto producirá un descenso lento. Repita el proceso hasta haber descendido al paciente de manera segura.



⚠ ADVERTENCIA

Si utiliza esta función, tendrá que llevar el elevador con un ingeniero competente, quien debe realizar una verificación general a posteriori.

8. Baterías

Las baterías están protegidas de una fuerte descarga por una ALARMA DE VOLTAJE BAJO. Esta alarma dará un sonido cuando las baterías necesiten recarga y se esté manejando el control de mano. No sonará si el control de mano no se está manejando.

PRECAUCIÓN: NO IGNORE ESTA ALARMA DE ADVERTENCIA. Complete la operación de elevación y coloque el elevador en carga (vea las instrucciones de carga).

9. Eslingas

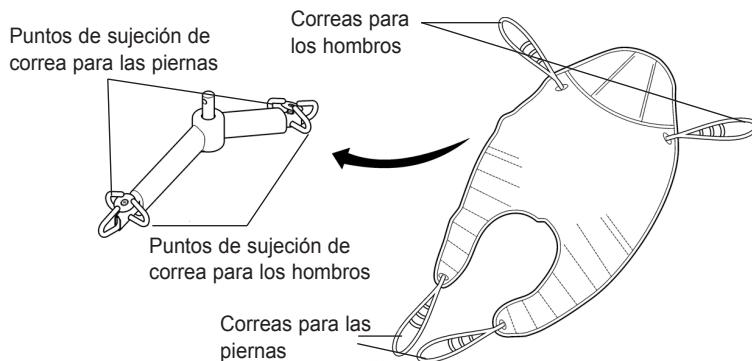
El Oxford Presence tiene la opción tanto de una barra de extensión de seis puntos como de percha de cuatro puntos. Ambos sistemas utilizan diferentes métodos de sujeción y eslingas.

El sistema de seis puntos utiliza eslingas con bucles de tejido, que permiten un ajuste de posicionamiento seleccionando diferentes bucles coloreados. El sistema de cuatro puntos utiliza el sistema de clip de seguridad Securi3 y el ajuste se realiza girando la percha de cuatro puntos cualquiera ascenso o descenso.

Eslingas de correa de bucle: Oxford Quickfit, Full Back, Quickfit Deluxe, Long Seat, Access y Silkfit

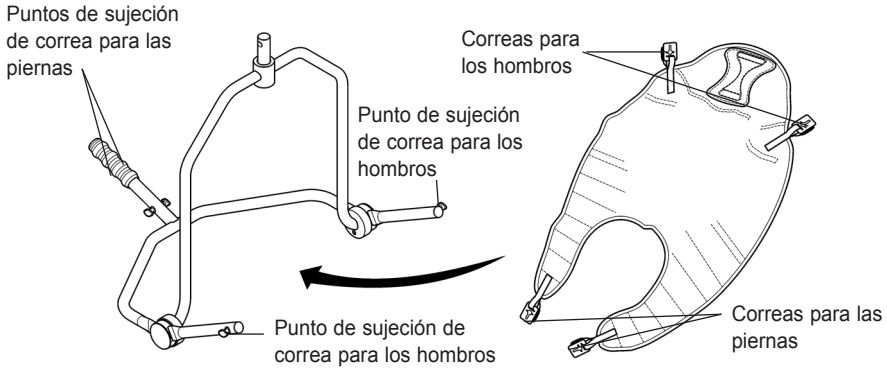
Eslingas de clip de seguridad: Oxford Comfort

El sistema de dos puntos se sujeta a los ganchos de la barra de extensión por medio de correas de bucle (como se muestran más abajo); cada eslinga viene con sus correspondientes instrucciones. Por favor, estudie la guía de instrucciones antes del uso.

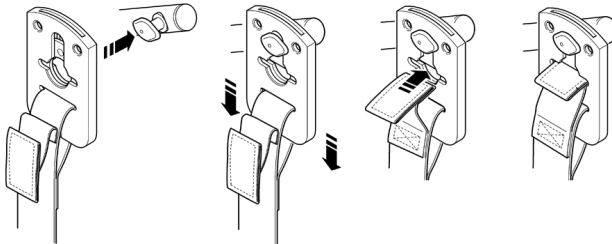


Barra de extensión de 6 puntos; ejemplo de la barra de extensión de 6 puntos con sujeciones de bucle.

La eslinga del sistema de cuatro puntos va sujeto a los tachones de la percha por medio de un sistema de clip de seguridad (como se muestra más abajo); cada eslinga se suministra con instrucciones. Por favor, estudie la guía de instrucciones antes del uso.



Percha de 4 puntos; ejemplo de la eslinga de la percha de 4 puntos con sistema de clip de seguridad.



Sistema de fijación de eslinga Securi3. Ejemplo de instalación.

NOTA: Para obtener instrucciones de colocación más detalladas, consulte la guía del usuario proporcionada con cada eslinga.

⚠ ADVERTENCIA

Joerns Healthcare recomienda comprobar las eslingas regularmente y, en especial, antes del uso por si están deshilachadas o dañadas. NO utilice eslingas que estén desgastadas o dañadas.

⚠ ADVERTENCIA

OXFORD RECOMIENDA UTILIZAR PRODUCTOS AUTÉNTICOS OXFORD. Los sistemas Oxford de eslingas y elevación tienen un diseño que los hace compatibles entre sí. Para obtener información y consejos específicos acerca del uso y compatibilidad de las eslingas, consulte la etiqueta de la eslinga, o bien comuníquese con su distribuidor local de mercado o con Joerns Healthcare.

⚠ ADVERTENCIA

Consulte la capacidad de peso máximo del elevador. La capacidad de la eslinga está limitada por la capacidad máxima del elevador.

7. Remoción de sistemas de barra espaciadora/ percha

SIGA ESTAS INSTRUCCIONES DE MANERA EXACTA

El ascensor actual tiene la opción de usar tanto la barra espaciadora de seis puntos ou la percha de cuatro puntos. La remoción de cualquiera de estos sistemas se realiza de manera fácil usando un pasador de liberación rápida. Esto puede realizarse rápida y fácilmente, sin embargo, debe leer las siguientes instrucciones de seguridad para garantizar que la barra espaciadora/percha está segura en su posición antes de usar.

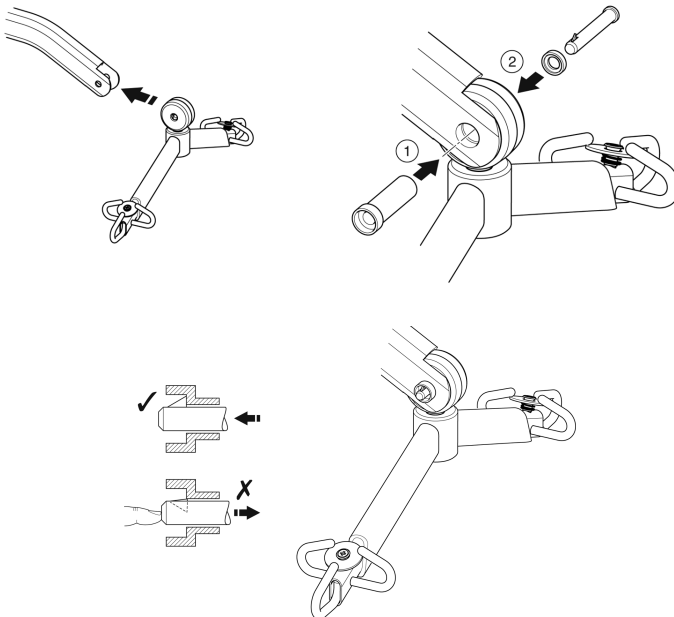
CONEXIÓN

Para conectar, eleve la barra espaciadora/percha hacia la ranura del larguero.

Inserte la manga de la clavija a través de la tapa de plástico y para sostener la barra espaciadora/percha.

Una vez alineado en la ranura del larguero, vuelva a insertar completamente el pasador de liberación rápida en la manga, hasta que caiga en su posición. **DEBE VERIFICAR QUE EL PASADOR ESTÉ AJUSTADO DE MANERA SEGURA**

Para hacerlo, oprima con el dedo dentro el extremo de la lengüeta. Si el pasador permanece estacionario, el elevador puede usarse con seguridad.

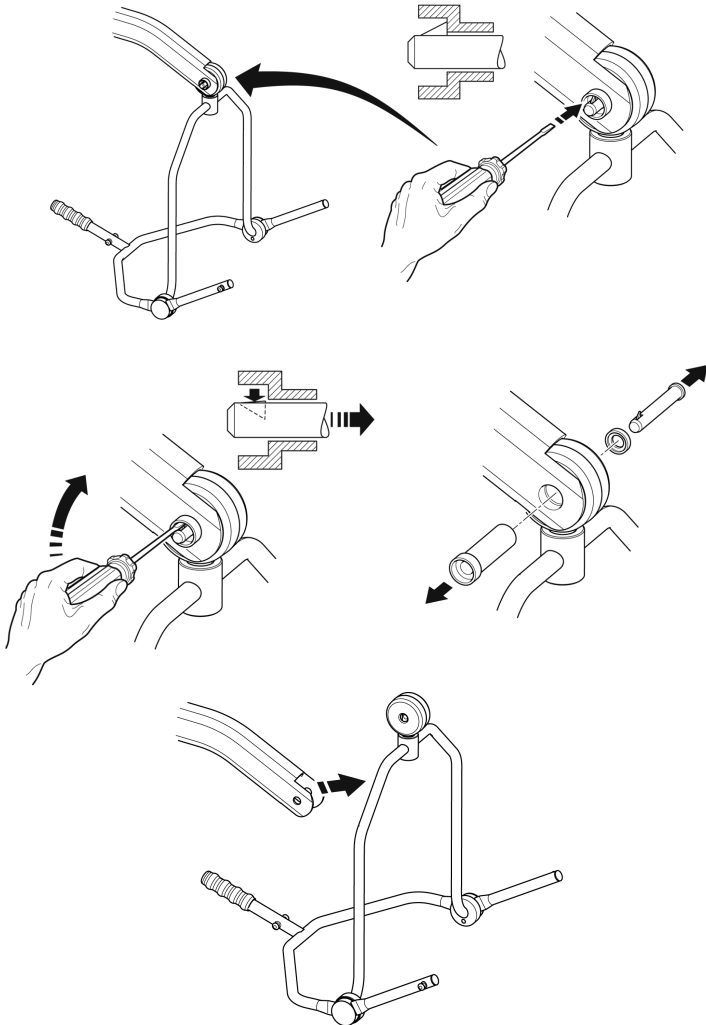


REMOCIÓN

PRECAUCIÓN: Asegúrese de sostener el peso de la barra de ensanchamiento/percha antes de retirar la chaveta.

Para quitar el pasador, oprima la lengüeta del muelle (usando un destornillador eléctrico de hoja plana o semejante) y saque el pasador.

Sostenga la barra espaciadora/percha y luego tire de la manga del pasador en la dirección opuesta, sacándola completamente del larguero. Esto liberará la barra espaciadora por completo.



8. Instrucciones para la carga

Las baterías están situadas en la unidad de alimentación y se cargan por medio de un cargador de sobremesa.

Cuando haya que cargar la unidad de alimentación, habrá que extraerla del elevador y colocarla en el cargador de sobremesa.

Joerns Healthcare Ltd recomienda comprar una unidad adicional de batería, para tener una de las dos unidades cargada en todo momento.

1. Extraiga la unidad de alimentación del elevador. La unidad de está sujeta con un pestillo simple en la parte superior de la unidad de alimentación. Levante el pestillo y la unidad de alimentación quedará suelta.
2. Coloque la unidad de alimentación en el cargador. La colocación y sujeción de la unidad de alimentación al cargador se realiza por el mismo sistema que el empleado en el elevador.
3. Enchufe el cable del cargador a una fuente de alimentación eléctrica y ponga el conmutador en ON.
4. La carga es automática y las baterías quedarán completamente cargadas en un plazo de ocho a doce horas. **Nota:** Incluso si el cargador se deja enchufado durante mucho tiempo, no permitirá que las baterías se carguen en exceso.
 - a) La luz verde indica el paso de corriente eléctrica.
 - b) La luz amarilla indica que la batería se está cargando.
 - c) Cuando la luz amarilla se apaga, la batería se habrá cargado por completo.

Nota: La carga puede tomar hasta cuatro horas en completarse.

Recomendamos cargar la batería en cuanto la reciba.

5. Para volver a poner en funcionamiento el elevador, desconecte de la red poniendo el conmutador en OFF y retire la unidad de alimentación del cargador. Coloque la unidad de alimentación de nuevo en el elevador y asegúrese de que el pestillo que la sujeta está completamente cerrado. Cuando esté correctamente colocada, oír un "clic". La carga del elevador eléctrico Oxford es sencilla y no tienen por qué surgir complicaciones, pero es importante seguir rigurosamente las instrucciones de carga. Preste especial atención a los siguientes aspectos; le ayudará a evitar los problemas que supone la descarga de las baterías.

ADVERTENCIA

- **La batería, el cargador, el control de mano y la caja de control NO deben ser abiertos por personal no autorizado. (Comuníquese con el distribuidor por reparaciones y reclamos de la garantía).**
- **NO toque las terminales de la batería ni el cargador.**
- **MANTENGA las baterías completamente cargadas. Ponga la batería a cargar siempre que no esté utilizando el dispositivo. Si le resultase más práctico, póngala a cargar durante la noche. El cargador no permitirá que las baterías se sobrecarguen.**
- **NUNCA permita que las baterías se gasten por completo. No bien suene la alarma de advertencia, complete la operación de elevación y ponga a cargar la batería.**
- **A fin de evitar posibles daños permanentes en la batería, debe colocar la batería a cargar en cuanto la pantalla indique el símbolo de la batería a la mitad.**

- **NUNCA** almacene la batería durante largos períodos de tiempo sin realizar cargas periódicas durante el período de desuso.
- **SIEMPRE** compruebe que la toma del cargador a la red de suministro eléctrico esté apagada antes de conectar o desconectar la batería.
- **NUNCA** deje la batería conectada con la toma del cargador a la red de suministro eléctrico apagada.
- **NO** deje el cargador encendido con la batería desconectada.
- **NO** use el elevador mientras carga la batería.
- **COMPRUEBE** que el elevador no se esté cargando antes de desplazarlo, ya que podría dañar la conexión eléctrica.
- **NUNCA** desconecte la toma del cargador tirando del cable.
- **PROCURE** no tropezar con el cable del cargador.
- **NO** cargue el elevador eléctrico en el cuarto de baño.

9. Plan de mantenimiento y lista de comprobación diaria

Todos los productos Oxford requieren un mantenimiento mínimo; sin embargo, es necesario llevar a cabo algunas comprobaciones y procedimientos de seguridad. A continuación se indica un plan de tareas DIARIAS. Realizar comprobaciones diarias y mantenimiento, inspección y prueba cada seis meses asegurará que el elevador se mantiene en condiciones óptimas de funcionamiento. Si lo pide, le enviaremos una lista de piezas de repuesto.

La PRUEBA DE CARGA y la certificación sólo deben llevarse a cabo por personal cualificado o por un agente / concesionario de servicio autorizado.

LISTA DE COMPROBACIÓN DIARIA: Joerns Healthcare recomienda encarecidamente realizar las siguientes comprobaciones de manera diaria y antes de utilizar el elevador.

- ASEGÚRESE de que el elevador se mueve libremente sobre sus ruedas.
- ASEGÚRESE de que la barra de extensión está libre para girar y moverse. Compruebe que la barra de extensión está firmemente sujeta al larguero.
- EXAMINE los ganchos de las eslingas en la barra de extensión y los suspensores laterales por si tuvieran un excesivo desgaste. En caso de duda - no utilice el aparato.
- EXAMINE las eslingas para ver si están deshilachadas o tienen otros daños. NO utilice una eslinga si está dañada.
- ASEGÚRESE de que las patas se abren y cierran correctamente.
- OPERE el control de mano confirmar que el larguero se levanta y baja satisfactoriamente.
- CONFIRME que el elevador no está dando una alarma de batería baja cuando se maneja el control de mano (sólo elevadores eléctricos). Si la alarma suena, NO utilice el elevador y póngalo en carga inmediatamente.
- EN elevadores movidos por energía eléctrica, verifique el funcionamiento del botón de parada de emergencia.

MANTENIMIENTO, INSPECCIÓN Y PRUEBA

Joerns Healthcare recomienda realizar inspecciones y comprobaciones completas y periódicas del elevador, los accesorios de elevación, las eslingas, balanzas, etc. La frecuencia de la verificación varía de acuerdo con la localidad; compruebe con su distribuidor local o entidad gubernamental, según corresponda, en lo referente a la frecuencia de verificación estipulada. Todas las verificaciones y pruebas deben llevarse a cabo según las recomendaciones y procedimientos explicados en el presente manual. Joerns Healthcare recomienda que el mantenimiento, inspección y comprobación certificada las lleve a cabo un agente o proveedor de mantenimiento autorizado.

NOTA: Estas recomendaciones se dan en cumplimiento de los requisitos Salud y Seguridad N° 2307 de 1998: Normas relativas a Operaciones de Elevación y Equipo de Elevación de 1998. Esta norma es del Reino Unido. Fuera del Reino Unido, revise los requisitos aplicables a su país.

***ESTAS COMPROBACIONES DEBEN INCLUIR:**

	Inicialmente	Antes del uso	Intervalos de servicio
1. BARRA DE EXTENSIÓN: Compruebe la barra de extensión para verificar si tiene libertad de rotación y giro. Compruebe si hay desgaste en el pivote central. Compruebe que está sujeta firmemente al larguero.	✓	✓	✓
2. LARGUERO: Compruebe la sujeción del larguero al mástil. Asegúrese de que sólo exista un mínimo movimiento lateral del larguero y de que el larguero esté libre para girar en su rodamiento.	✓	✓	✓
3. MÁSTIL: Verifique el funcionamiento del dispositivo de bloqueo del mástil. Asegúrese de que el mástil encaja completamente en el alojamiento. Compruebe el actuador del larguero.	✓	✓	✓
4. ACTUADOR: El actuador no requiere más mantenimiento que comprobar que funciona correctamente y escuchar si hay ruidos inusuales.			✓
5. MONITOR SMART: Compruebe el buen funcionamiento del botón de parada de emergencia. Compruebe que la toma del control de mano esté en perfecto estado. Verifique que el control de mano funciona correctamente. Verifique los controles redundantes y confirme que funcionan correctamente.	✓	✓	✓
6. BATERÍAS: Las baterías están alojadas en la unidad de alimentación eléctrica y no requieren ningún mantenimiento excepto su carga regular tal y como se detalla en las instrucciones de carga. Compruebe que las conexiones están limpias.			✓
7. AJUSTE DE LAS PATAS: Compruebe que las patas funcionan en toda su extensión (hacia dentro / hacia fuera)	✓	✓	✓
8. RUEDAS: Compruebe que todas las ruedas están firmemente sujetas a las patas. Verifique la libre rotación de las ruedas y de sus pivotes.	✓	✓	✓
9. LIMPIEZA: Limpie con jabón corriente y agua, y/o con cualquier desinfectante para superficies duras. Deben evitarse limpiadores químicos o abrasivos, ya que pueden dañar el acabado de la superficie del elevador. No moje ninguna pieza eléctrica.		✓	✓
10 PRUEBA DE CARGA: La prueba de carga debe ser llevada a cabo de acuerdo con los procedimientos establecidos por el fabricante. Se recomienda encarecidamente que la comprobación sea realizada por un concesionario de servicio autorizado.			✓
11. BASE Y RUEDAS: Asegúrese de que la base está uniforme y nivelada. (las cuatro ruedas en contacto con el suelo).	✓	✓	✓
12. ESLINGAS: Vea si están desgastadas o deshilachadas.	✓	✓	✓
13. LUBRICACIÓN: Lubrique las juntas de los pivotes, incluyendo las conexiones del mástil y del larguero, el conjunto de pedal, la junta de la barra de extensión (hágalo sólo si es necesario).			✓
14. CONJUNTO DE MANO: Asegúrese de que está bien enchufado al controlador.	✓	✓	
15. CHAVETA DE DESENGANCHE RÁPIDO: Asegúrese de que la chaveta esté colocada correctamente antes de realizar la elevación presionando la punta dentada.	✓	✓	
16. PIEZAS DE FIJACIÓN: Compruebe que todas las tuercas, pernos, tornillos y piezas de sujeción no presenten signos de desgaste excesivo ni estén ajustados en exceso. De ser necesario, reemplácelos.			✓

10. Especificaciones técnicas

Carga de trabajo segura	500 lbs	227 kgs
Longitud total máxima	57.5 pulgadas	1460 mm
Longitud total mínima	55.1 pulgadas	1400 mm
Altura total máxima.....	81.3 pulgadas	2065 mm
Altura total mínima	57.5 pulgadas	1460 mm
Altura máxima de la barra de extensión	75.2 pulgadas	1910 mm
Altura mínima de la barra de extensión	16.9 pulgadas	440 mm
Altura en alcance máximo.....	51.5 pulgadas	1310 mm
Alcance en altura máxima.....	25.6 pulgadas	650 mm
Alcance en altura mínima.....	15.7 pulgadas	400 mm
Alcance máximo	36.6 pulgadas	930 mm
Radio de giro.....	64.2 pulgadas	1630 mm
Patas abiertas - Anchura externa.....	45.2 pulgadas	1150 mm
Patas abiertas - Anchura interna.....	40.1 pulgadas	1020 mm
Patas cerradas - Anchura externa	26.4 pulgadas	670 mm
Patas cerradas - Anchura interna	21.6 pulgadas	550 mm
Altura total de las patas.....	4.7 pulgadas	120 mm
Distancia al suelo	1.4 pulgadas	35 mm
Par de ruedas delanteras.....	4 pulgadas	100 mm
Ruedas traseras con freno.....	4 pulgadas	100 mm

*Alcance = distancia entre el centro de la barra de extensión y la parte delantera del mástil

Bastidor de posición de 4 puntos

(medida hasta la parte superior de las clavijas de ubicación)

Altura máx. del bastidor	61 pulgadas	1550 mm
Altura mín. del bastidor (útil).....	15.4 pulgadas	390 mm

Pesos

Mástil, base y conjunto de larguero	81.4 lbs	37 kgs
(incluye barra espaciadora de 2 puntos)		
Unidad de alimentación.....	6.6 lbs	3 kgs
Total.....	88 lbs	40 kgs
Conjunto de la base (sin incluir batería)	44 lbs	20 kgs
Mástil y larguero (sin incluir batería).....	37.4 lbs	17 kgs
Bastidor de posición de 4 puntos.....	13.2 lbs	6 kgs

Todas las medidas tienen un grado de tolerancia de +5/-5 grados.

ESPECIFICACIONES ELÉCTRICAS

BATERÍAS.....	12 voltios, tipo ácido de plomo selladas recargables
CAPACIDAD DE LA BATERÍA	3,2 amperios hora
ENTRADA NOMINAL DEL CARGADOR.....	230Vca 50/60 Hz
SALIDA NOMINAL DEL CARGADOR	27,4/29,0 VCC@0,8A

Protección Frente a Descargas Eléctricas

CARGADOR.....	CLASE II
ELEVADOR.....	FUENTE DE ALIMENTACIÓN INTERNA

GRADO DE PROTECCIÓN FRENTE A DESCARGAS

CARGADOR.....	TIPO B
ELEVADOR.....	TIPO B
ENTORNO DE FUNCIONAMIENTO:.....	>+5° <+40°.

En condiciones distintas a este entorno, la funcionalidad y la seguridad pueden verse comprometidas.

CONDICIONES AMBIENTALES

Al aire libre, la funcionalidad y seguridad especificadas pueden verse comprometidas.

RANGO DE TEMPERATURA Y HUMEDAD

TEMPERATURA	>+5°C a <+40°C
HUMEDAD RELATIVA.....	20% a 90% a 30°C (no condensada)
PRESIÓN ATMOSFÉRICA	700 - 1060 Hpa

ALMACENAMIENTO

TEMPERATURA	>-10°C a <+50°C
HUMEDAD RELATIVA.....	20% a 90% a 30°C (no condensada)
PRESIÓN ATMOSFÉRICA	700 - 1060 Hpa

CLASIFICACIONES IP

CAJA DE CONTROL.....	IPX4
ACTUADOR	IPX4
CARGADOR EXTERNO	IPX5
BATERÍA	IPX5
CONTROL DE MANO.....	IPX5

CICLOS DE TRABAJO

ACTUADOR	10% (2 min. / 18 min.)
CARGADOR.....	4 horas (aprox.)

ACÚSTICA

NIVEL DE POTENCIA DE SONIDO (ESCALA PONDERACIÓN A).....	64 dB
---	-------

EXPLICACIÓN DE LOS SÍMBOLOS:

Los signos enunciados a continuación se utilizan en el cargador, la unidad de control y la batería:



Equipo de tipo B, según EN 60601-1



Equipo de clase



El cargador y la unidad de control no deben desecharse junto con los residuos domésticos



La batería no debe desecharse junto con los residuos domésticos.



Las piezas de electrónica no deben desecharse junto con los residuos domésticos



Para uso en interiores solamente



ATENCIÓN: consulte los documentos adjuntos

11. Garantía

Joerns Healthcare cuenta con una red establecida de distribuidores autorizados y agentes técnicos que estarán gustosos de responder a todas sus inquietudes respecto a la adquisición, garantía, reparación y mantenimiento de los productos. Se recomienda que un distribuidor autorizado o agente técnico encarguen nuestros productos.

El distribuidor o representante opera el Programa de la garantía; de manera que es importante conservar el nombre, dirección y teléfono para poder establecer contacto en caso de que surja algún problema. Si tiene dudas acerca del lugar de compra del elevador, Joerns Healthcare puede ubicar al proveedor si usted cita el número de serie del producto.

Todas las reclamaciones respecto de la garantía están sujetas a la correcta utilización y mantenimiento del producto, de acuerdo con el manual de instrucciones suministrado con cada elevador. La garantía pierde validez ante cualquier daño causado por el uso en condiciones ambientales inadecuadas o por falta de mantenimiento del producto según las instrucciones de mantenimiento para el usuario. Sus derechos legales no se verán afectados.

RECUERDE: Póngase en contacto con su distribuidor autorizado o agente técnico por adquisiciones, reparaciones, servicio y mantenimiento certificados.

Su distribuidor:

