

Order Form

訂單明細表

KM-AT60

User Name: _____

Customer Name: _____
客戶名稱

Order No: _____
訂單號碼

Delivery Address: _____

Order Date: _____
接單日期

Tel - No: _____

Expected Delivery Date: _____
預交貨日期

Wheelchair Measurements

Seat Width (SW) 座寬 15" 15.5" 16" 16.5" 17" 17.5" 18"

Seat Depth (SD) 座深 14" 14.5" 15" 15.5" 16" 16.5" 17" 17.5" 18" 18.5" 19" 19.5" 20"

Height Adjustable Backrest (HAB) 背靠調整高度
 With Short Tubes 標準尺寸 12" - 15" With Middle Tubes 背墊管加高5cm 14" - 17" With Long Tubes 背墊管加高10cm 16" - 19"

Backrest Angle (BA) 背墊角度 72° 84° 96° 108°

Calf Length (CL) 小腿長 13" 13.5" 14" 14.5" 15" 15.5" 16" 16.5" 17" 17.5" 18" 18.5" 19"

Front Seat Height (FSH) 前座高 18" 18.5" 19" 19.5" 20" 20.5" 21" 21.5" 22" 22.5" 23"

Rear Seat Height (RSH) 後座高 16" 16.5" 17" 17.5" 18" 18.5" 19" 19.5" 20" 20.5" 21" 21.5" 22"

Rear Wheel Camber (RWC) 後輪外展角度 0° 3° 5° 7°

Colors

色彩搭配

Frame Colors 骨架顏色 Diamond Black 黑鑽銀 Swan Yellow 天鵝黃 Rose Red 玫瑰紅 Gem Blue 寶石藍 Polished 陽極

Seat / Back Upholstery Colors 座背墊顏色 Black 素黑

Wheels

前/後輪組

Front Casters (PU) 5"前輪PU胎 5" 4"

Rear Wheels (24") 24"後輪 Spoke 鋼絲輪 (Silver wheel rim) (銀色鋁輪圈) Sport 跑車輪 (Red wheel rim) (紅色鋁輪圈)



Selective Accessories

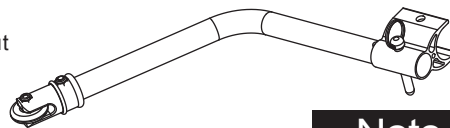
選配件

Push Handle 推手組 Adjustment 可調式 Clip-on 夾式

Without 無 Scissor 剪式剎車

Brake 剎車組 Without 無

Anti-tipper Without 無 With 配置



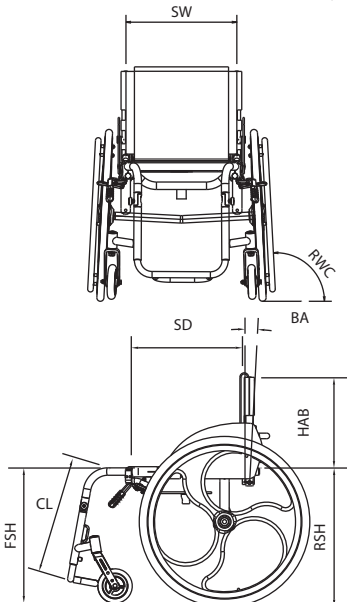
Magnesium Silver rim / yellow tyre 鎂合金輪 銀框/黃胎

Magnesium Black rim / yellow tyre 鎂合金輪 黑框/黃胎



Dimensions

尺寸表



Other 其他 Leg-tube Protector 關節保護套 Spoke Guard 塑膠護板 5cm Cushion 5cm座墊

Calf length is corresponds to seat height 小腿長對應座高

Seat Height 座高	Calf Length 小腿長
18"	13" ~ 16"
19"	14" ~ 17"
20"	15" ~ 18"
21" ~ 23"	16" ~ 19"

Memo 備註

Standard (if no requests are indicated) 標準配件

Optional (additional cost as per listed on the quotation) 額外成本依報價單所示