



healthtec

Supporting you

1300 362 923

www.healthtec.com.au

REHABILITATION

Ultimate Bobath

Specially designed for treating patients with neurological conditions

Similar to the Neurological Bobath but with a greater lifting capacity, hoist access clearance and increased operational height range.

With a treatment area of 1200mm x 2000mm and low minimum height provides excellent access for patients with limited mobility or for wheelchair transfers.

The electric height adjustment can be quickly set at the touch of a button reducing fatigue or backstrain on the practitioner.



Features

- Electric height adjustment with footswitch
- X-Frame Lift action minimises pinch and crush points
- Heavy duty individually lockable castors
- Durable powder coated rust resistant frame
- High quality anti-microbial vinyl & CFC free foam
- 5 year warranty on frame & electrics
- Australian designed & manufactured

Specifications

- 200kg Maximum Lifting Capacity (moving)
- 400kg Maximum Working Load (stationary)
- 600mm Minimum Height
- 1000mm Maximum Height
- 1200mm Table Width
- 2000mm Table Length
- Heavy duty industrial quality lockable castors
- Available as single section or two section option*

*Two Section manual backrest adjustment +45° (electric backrest model available)



The Healthtec Warranty

Healthtec offers a lifetime warranty on all our manufactured tables and a five year warranty on motors and foot switches from date of purchase. Original suppliers warranty applies.

TGA AR-00106892-6

© May 2016





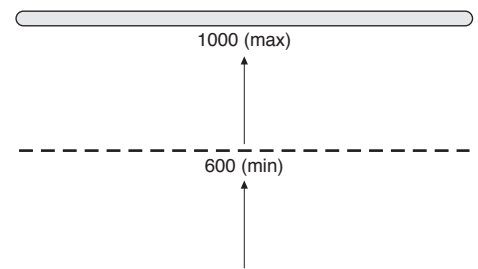
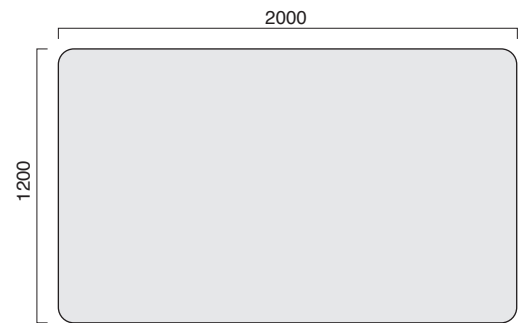
Supporting you

www.healthtec.com.au

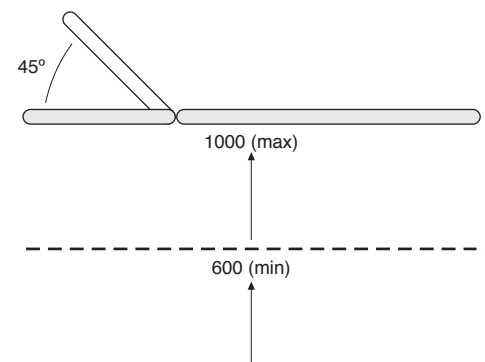
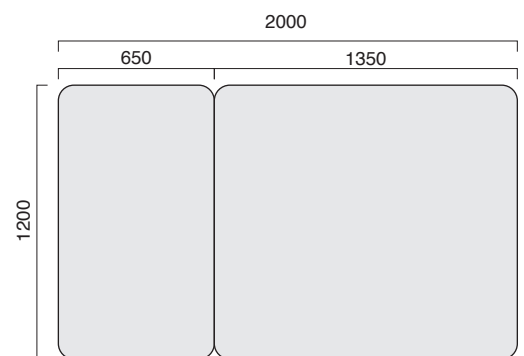
PRICE SHEET

Ultimate Bobath

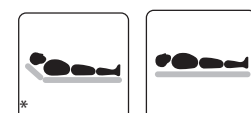
Product Description	CODE	QTY
HT Ultimate Bobath Table (1200 wide) – Single Section	50301	
HT Ultimate Bobath Table (1200 wide) – Two Section	50291	
HT Ultimate Bobath Table (1200 wide) – Two Section w/Electric Backrest	50271	
HT Ultimate Bobath Table (1200 wide) – Two Section w/Electric Backrest -30° to +45° and castors	55811	
Width and Length Options		
Custom Width Option	6014	
Custom Length Option	6009	
Vinyl Options		
Non Stock Vinyl Option	6018	
Leather Upgrade	6008	
*please refer to our colour chart for vinyl colour options		
Headrest Options		
Nose Hole – Bobath (one hole)	6011-3	
Nose Hole – Bobath (three holes)	6011-4	
Nose Hole Plug	6010	
Castor Options		
Central Locking Castor Option (Bobath)	60372	
Foot Switch Options		
Additional Foot Switch	6020	
Additional Double Foot Switch (for powered backrest model)	6024	
Extended Warranty		
10 years Frame & Electrics	7800	
Freight		
Freight charges are not included in our prices. Please contact your Healthtec representative for freight costs and options.		
Shipping Dimensions	2200mm x 1300mm x 700mm	
Shipping Weight	120kg (approximately)	



50301 Single Section



50291 Two Section



* 50291 model only

FRECALL
1300 362 923
info@healthtec.com.au



Healthtec Pty Ltd ABN 94 224 518 379 TGA AR-00106892-6
© May 2015

Disclaimer: Due to our policy of constant product improvement, specifications may change without notice. Check with us for the latest specifications and pricing.