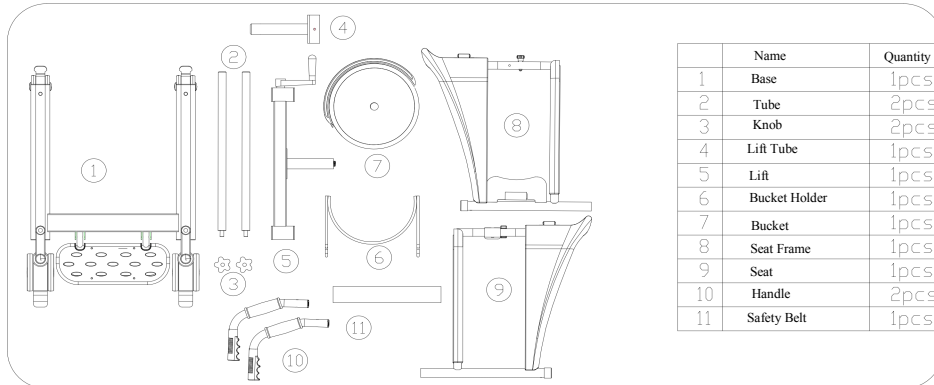


# Manual

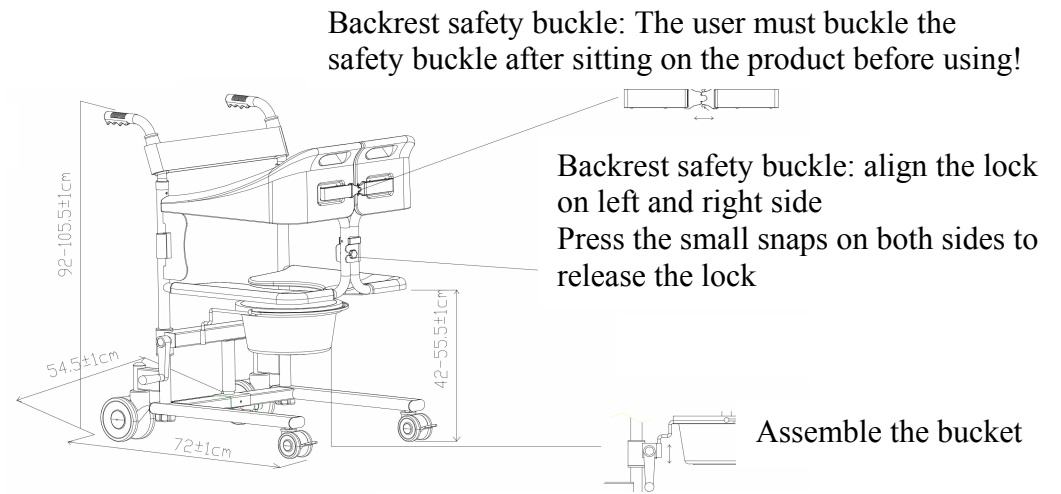
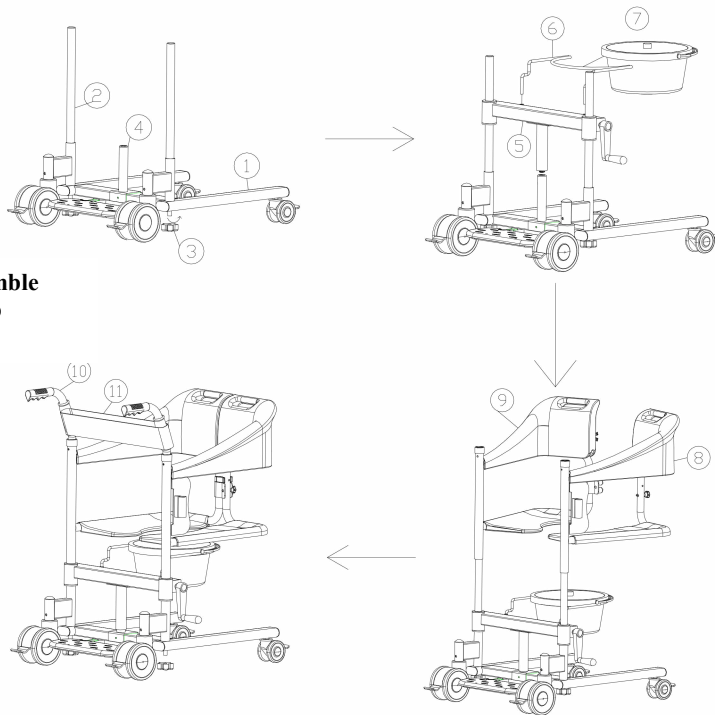
# CA6128 Transfer Chair

Thank you for using our products, please read the manual before using .

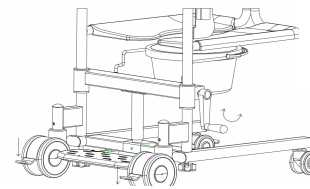
## Parts List



### Assemble Photo



Assemble the bucket



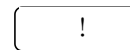
Lifting operation: shake the hand crank to adjust the height .

Wheel brake: When parking ,step on the long switch,and when you go,release the brake by stepping on the short switch.

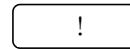
### Scope of Application

This product is suitable for transfer people from wheelchairs to sofas, beds, toilets, seats, etc. to move each other.It is a multifunctional product that combines a shifter, a manual wheelchair, a toilet chair, and a bath stool in one.

### Attention



Please check whether the screws are tightened before use.



Some materials of this product will melt during fire, please stay away from fire.

### Caution

Please do not tamper with the product without authorization,if tamper with the product without authorization,The strength and durability of the product are greatly reduced, causing accidents