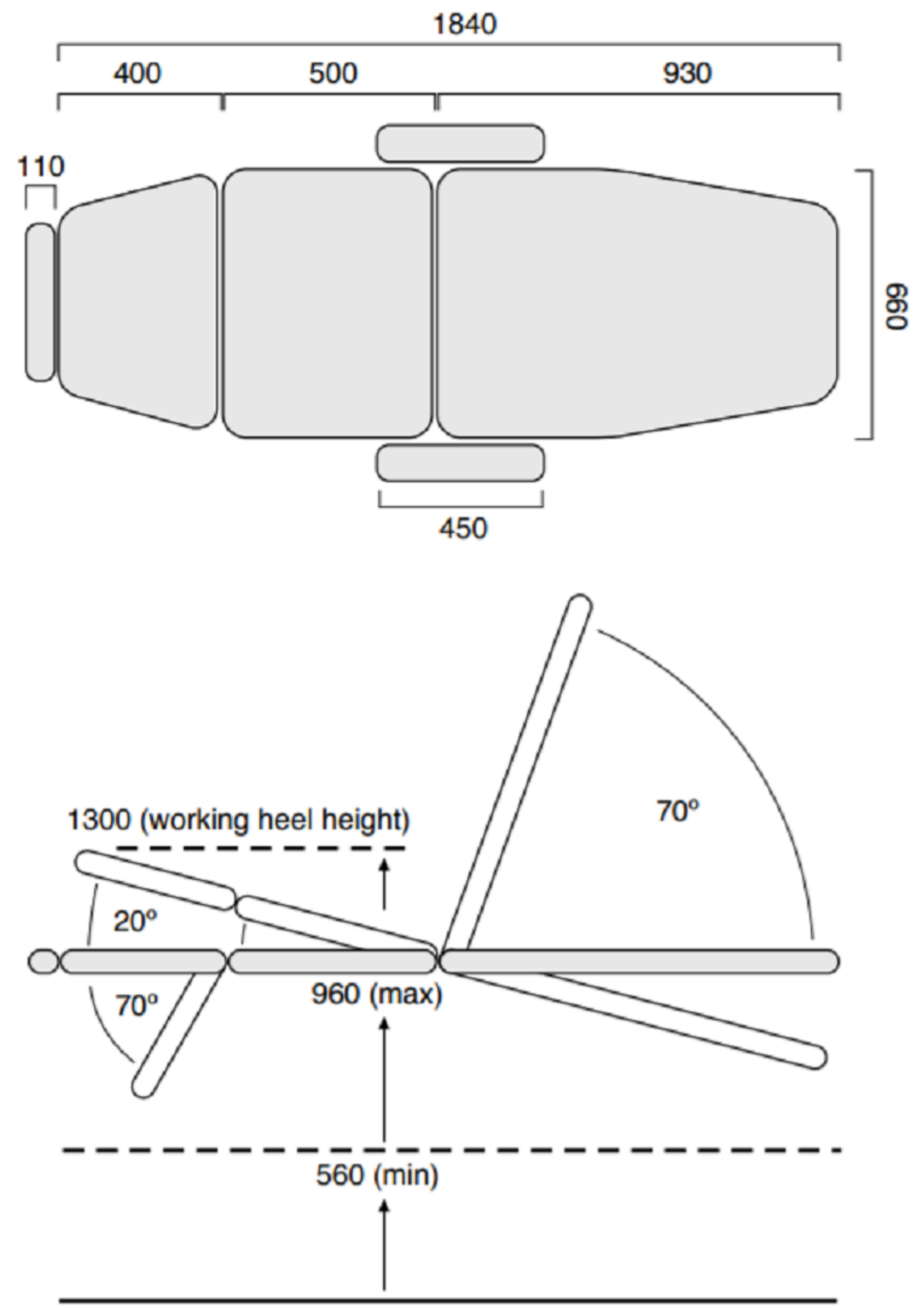




Healthtec Procedure Chair HT55381



**HOLDS
400kg**
↑
**LIFTS
300kg**



Showing Trendelenburg Movement



Scan for product details



Features

- Electric height adjustment with footswitch
- Column lift eliminating crush points
- Independently lockable castors
- Durable powder coated rust resistant frame
- High quality anti-microbial vinyl & CFC free foam
- Australian designed & manufactured
- 5 year warranty on electrics
- Lifetime structural warranty
- 2-year, annual, preventive maintenance

Product Information	
Maximum Working Load	400kg (stationary)
Maximum Lifting Capacity	350kg (moving)
Minimum Working Height	560mm
Maximum Working Height	960mm
Table Width	660mm at widest point
Table Length	1840mm and 1940mm when footrest extension fully extended
Cushioning	75mm anti-microbial
Controller	Footswitch with memory
Base/Castor	Column Base w/independently lockable castors 360° rotation
Backrest	Electrically Operated +95° w/trendelenburg movement -20°
Leg Section	Electrically Operated -70°