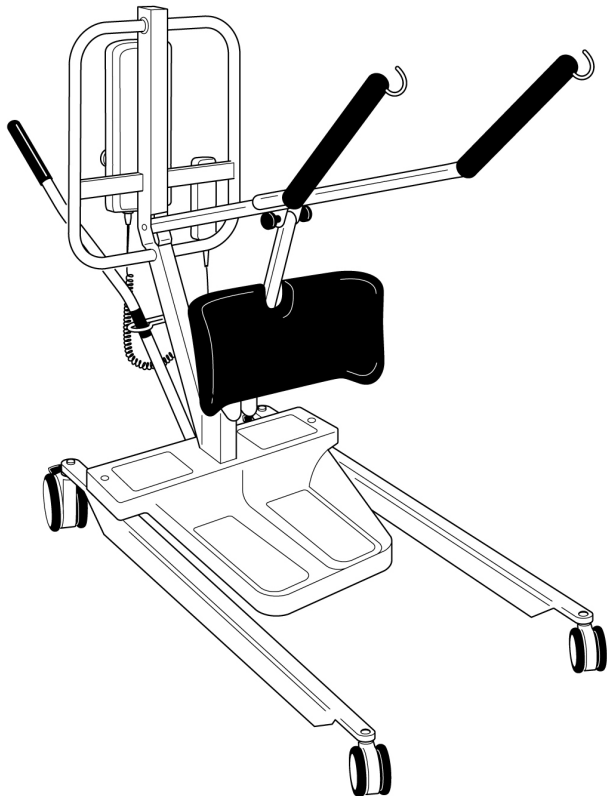


Parts Manual

Oxford® Standaid 140



Oxford®
Standaid 140

NO	PART NUMBER	DESCRIPTION	QTY
1	39001195	FRONT CASTOR KIT: 75mm nylon castor, M8 CSK screw	2
2	39001194	REAR CASTOR KIT: 100mm nylon braked castor M10 button head bolt	2
3	417641.11001	LEG FABRICATION: Suitable for left & right config (not inc. castors)	1
4	808003.10000	CROSS MEMBER ASSEMBLY, INCLUDING NUTSERT	1
5	EM-2679	LINK ROD	1
6	232388.10014	PIVOT PLATE ASSEMBLY INCLUDING: belville washers, circlip, cap, & locking knob	1
7	457641.11001	MAST COMPLETE	1
8	808003.10094	BOOM COMPLETE	1
9	172001.10002	LINAK CONTROLLER	1
10	11012180	LINAK BATTERY	1
11	39001201	LINAK BATTERY AND CONTROLLER BRACKET AND FIXINGS	1
-	39001183	LINAK BATTERY CHARGER AND DESK TOP UNIT (NOT SHOWN)	1
-	11012183	CHARGER LEAD - UK (NOT SHOWN)	1
-	11012184	CHARGER LEAD - EU (NOT SHOWN)	1
-	11012182	CHARGER LEAD - US (NOT SHOWN)	1
-	11013804	CHARGER LEAD - AU (NOT SHOWN)	1
12	293388.10000	LINAK HAND CONTROL	1
13	182001.10003	LINAK ACTUATOR (250MM STROKE)	1
14	232388.10015	LEG ADJUSTER HANDLE	1
15	533388.10001	FOOT TRAY FIXINGS AND NON-SLIP PADS	1
16	SA/2569	NON-SLIP PAD - LH	1
	SA/2570	NON-SLIP PAD - RH	1
17	426388.10000	KNEE PAD AND FIXINGS	1
18	232388.10009	MAST & BOOM FIXING KIT: Nylon washers (x2), Nylon pivot tube (x1), Steel pivot pin (x1), Washers (x2), M8 CSK bolts (x2)	1
19	232388.10011 *Includes item EM-2679	LEG FIXING KIT: Washers (x2), Washer springs (x2), Circlips (x2), Rod link assembly (x2), Leg pivot fabrication (x2)	1
20	232388.10004	ACTUATOR FIXING KIT: Fixing pins (x2), Circlips (x4)	1
-	000412.10006	DECAL SET (NOT SHOWN)	1
21	655530.10000	HANDLE GRIP: leg adjuster handle	10
-	000384.11000	KNOB LEVER HANDLE FIXING SCREW (NOT SHOWN)	1
22	SA/2692-K	SLING RETAINING CLIP (PAIR)	2
-	EM/3683	STRAIGHT LINE STEERING DEVICE (NOT SHOWN)	1
23	323-12060	HAND GRIP	1

Oxford®
Standaid 140

