

User Manual

LIFTboy



LEHNER
LIFTTECHNIK

A – 4724 Neukirchen/W, Salling 8
Email: office.lehner@gmx.at
Web: www.lehner-lifttechnik.at

Tel: 07278/3514-15, Fax: 07278/3514-12
Mobil: 0664/3526190

Tabel of contents

1. In general	2
1.1.Producer	2
1.2.Utilisation	2
1.3.Important / Warnings	3
1.4.Unpacking and preparation	3
1.5.Assembly before starting up	4
1.6.Assembly - disassembly / fitting	5
2. Description of Operation	5
1.1 Label	5
1.2 Safety function	6
3. Demontage & Transport	8
3.1 Transport	8
3.2 Packing during the transport	8
4. Attendance and keeping	8
4.1 Cleaning	8
4.2 Keeping and storage	8
4.3 How to prevent corrosion?	8
4.4 Which attendance has to be made by the owner?	8
5. Attendance & durability	8
5.1 Durability and attendance	8
5.2 Fuses	9
5.3 Assessment – Alround	9
5.4 Error search	10
6. Technical data	11
Platform Typ 1	11
Platform Typ 2.....	11

1. In general

1.1. Producer

Fa. Lehner Lifttechnik G.m.b.H.

A – 4724 Neulirchen am Walde, Salling 8

Tel: +43.7278.3514-15, Fax: +43.7278.3514-12

Mobil: 0664/3526190, E-mail: **office.lehner@gmx.at**

www.lehner-lifttechnik.at

1.2. Utilisation

Utilisation

The platform is produced for the utilisation inside and outside. The platform can be used at temperatures of -20 up to + 40° C. At temperatures under – 20° C we recommend the warming of the platform.

The platform is made for disabled persons, who have to do height differences of 835 mm (1-6 stairs)

It is possible to drive in and drive out of the platform on every side. In order to protect the user of the platform from falling of the platform the platform is equipped with a safety rail on both sides. In order to protect the upper stop there is a rail which drives with the lift.

It is necessary to instruct the users and the assistants carefully.

1.3.Important / Warnings

- Please read the whole manual, before the platform is operated
- The installation of the platform is only allowed by *Lehner Lifttechnik* or a qualified staff recommended by *Lehner Lifttechnik*.
- The maximum load capacity of 180 kg must not be exceeded.
- The platform is made for the transport of persons, it is only allowed to use the platform how it is described in the manual.

1.4. Unpacking and preparation

Visual controll:

If the packing is damaged at the receipt of the platform, the parts of the platform have to be examined exactly, if there are apparent damages or defects. If there is suspect of damages, the platform must not be used! The platform has to be examined by the company *Lehner Lifttechnik* or qualified staff by *Lehner Lifttechnik*.

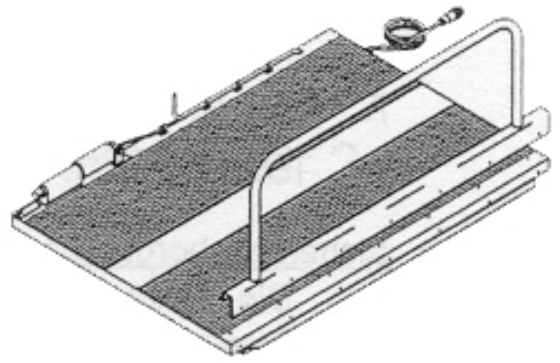
Tabel of content

- platform and safety curtain
- access ramp
- rail / safety curb
- electric power supply
- application
- manual

1.5.Assembly before starting up

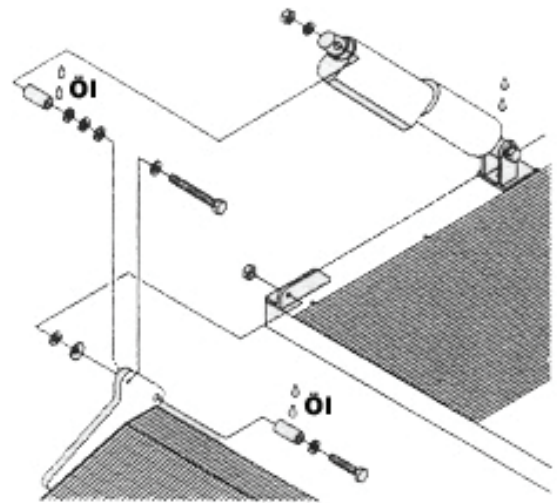
Safety curb 1 rail actuator

The assembly screws are pre-assembled on the upper board. They will be screwed off. The safety curb / the rail will be mounted on the upper board. The screws will be tightened.



Fixing of the access ramp on the platform

1. Screws, disks, bush, screw nuts which are on the swivel joint of the side access ramp will be removed.
2. A disk and a lubricated bush will be mounted on the left swivel joint.
3. The disk will be mounted on the bush. She must not be clamped.
4. The second disk will be mounted on the screw, which will be mounted through the bore of the safety curb.
5. The nut will be mounted and screwed down but not so fix.
6. A disk and a lubricated bush will be mounted on the screw, which are mounted on the right swivel joint.
7. The disk will be mounted on the bush, She must not be clamped.
8. The second disk will be mounted on the screw, which will be mounted on the angle profile.
9. The nut will be mounted and screwed down – screw it that it is fix.
10. The nut on the safety curb (described in point 5) will be screwed down fix.



Assembly of the access ramp of the actuator

Attention: Single components are correctly mounted at the delivery.

1. The bush will be lubricated and placed on the actuator.
2. The disk will be mounted on the screw, which will be mounted from the middle of the platform through the eye of the access ramp.
3. The 3 disks will be placed on the screw.

4. The access ramp will be lifted up in a position, in which the screw can be put through the bush of the actuator.
5. A disk will be mounted on the screw.
6. The nut will be screwed on.
7. Lubricate the bottom and the fitting with oil or another lubricant.

Safety curb / rail, right – actuator side

1. The assembly screws are pre-assembled on the upper board. They will be screwed off.
2. The safety curb / the rail will be mounted on the upper board. The screws will be tightened.

End profile

1. Has to be mounted on the ends of the small safety curb.

Manual operation

The manual operation will be put on the rail.

1. The connector will be mounted in the connector bush in the safety curb.
2. The manual operation will be screwed down and the connector is waterproof.

Transformer

1. The connector of the transformer will be connected to the connector back at the platform.
2. The power plug has to be connected to the supply network system.
Put on the energy.

1.6. Assembly - disassembly / fitting

The disassembly of the platform and the fitting of the accessories are only allowed to be carried out by the company *Lehner Lifttechnik* or an approved qualified person.

The assembly has to be made according to the assembly manual.

The service staff gets the assembly manual either from the producer or the trader.

2. Description of Operation

1.1 Label

Company label with CE-sign and fabric number (placed on the platform).

Operation – electric

The manual operation can be mounted at the platform by the user of the platform. Operation buttons and the symbols are easy to understand.

Up (Auf)- function, from the bottom level

1. When the platform is on the bottom level and the access ramp is on the same level, the wheelchair user can drive on the platform.
The rail that goes up with the platform is used as safety rail for the upper stop.
2. When you press the button „Up (AUF)“ the access ramp drives upstairs and takes over the function of the safety rail.
“Up (AUF)” is not active as long as the button won't be pressed.
3. If the access ramp/safety rail is in the upper position and “Up (AUF)” will be pressed furthermore, the platform moves upstairs.
4. When the platform has reached the passage the wheelchair user can drive on the passage.

Down (Ab) – function, from the top level

1. The wheelchair user drives on the platform.
2. When you press the button "Down (AB)" the platform drives down. As long as the button is pressed this function is active.
3. When the platform has reached the level and the button is still pressed, the access ramp/safety rail will be lowered and the wheelchair user can leave the platform.

1.2 Safety function

Safety curtains

The pre-assembled safety curtains ensure that nobody will be jammed, if the platform is in the highest position and drives down.

Assembly and safety curtains

1. The areas of the safety curtains are pre-assembled with chain belts.
2. A broomstick or something similar should be placed on the narrow side of the shear construction.
3. The safety curtains have to be put over the upper board and have to be placed on the broomstick, so that they hover freely.
4. The safety curtains are lifted and assembled. Always start with the angles in the other side of the access ramp on the upper board of the platform. The safety curtains have to be pressed on the hook-and-loop tape fastener.

5. The safety curtains on the other side have to be lifted and have to be assembled on the upper board of the platform. The safety curtains have to be pressed on the hook-and-loop fastener.
6. The broomstick can be removed now.
7. The safety curtains will be mounted in such a way that they follow the edges of the bottom board of the platform.

Safety terminal strip

If a person or an object will be jammed during the downward stroke of the platform, the downward stroke stops immediately if the safety terminal strips will be activated.

In order to switch off the safety function the “AUF” (Up) button has to be pressed. Now the object can be removed, which has activated the safety terminal strip.

Emergency break

The emergency break should only be activated in an emergency. After using the emergency break the platform should only be used again after consultation with the producer/trader.

The emergency break is located on a central place on the safety curbstone.

After using the emergency break all movements are stopped.

Turn the emergency break on the outside, and after a short pressure on the “Up (Auf)” button the platform is operative again.

Emergency lowering device – access ramp

The access ramp is mounted with a bolt on the actuator. This bolt will be screwed on an the access ramp opens. Look at point 1. 5.

Important

When the bolt of the access ramp is removed, the access ramp is no longer mounted. Therefore the access ramp has to be held when the bolt is removed.

User / assistant – emergency call system

The function of the emergency system has to thought over for each use individually.

One or more responsible person/s have to be educated in operating the platform right.

The responsible person has to be available in every emergency situation.

The name of the responsible person has to be told the user.

We recommend a battery backup for the user, which depend on the platform.

3. Disassembly & Transport

3.1 Transport

It is possible to deconstruct the platform for the transport and the keeping, platform, band, ramp.

3.2 Packing during the transport

The company *Lehner Lifttechnik* recommends to transport the platform in the original packing.

4. Attendance and keeping

4.1 Cleaning

The lifting platform can be cleaned with a sponge or a brush and soap water. The lifting platform can be hosed down with a normal water pressure, but not with a pressure washer. Acid, base or solvent may not be used for cleaning

4.2 Keeping and storage

No special requirements.

4.3 How to prevent corrosion?

The lifting platform is made out of corrosion-resist materials and therefore no corrosion protection is necessary.

4.4 Which attendance has to be made by the owner?

Cleaning on demand.

5. Attendance & durability

5.1 Durability and attendance

The platform has to be undergone an attendance at least once a year due to the national law.

The platform has a durability of about 10 years with regular, daily use. After this period the lifting platform has to be assessed by specialized staff in order to evaluate the further application.

The durability is based to the conventional use, a regular cleaning as well as attendance and an annual assessment of specialized staff or the company *Lehner Lifstechnik GmbH*.

Spare-part lists and drawings can be requested at the producer or the trader.

5.2 Fuses

If a fuse drops out, the cause has to be examined by qualified staff. The exchange of the fuse is only allowed by qualified staff, before the platform is operating again.

5.3 Assessment – Allround

With the Attendance it has to be recorded what has been examined and exchanged. Parts which show abrasion or damages have to be replaced with new original parts.

1. Visual control of the product

- Control, if abrasion can be diagnosed.
- Control if the product has deformations.
- Control if the product has other forms of damages.

2. Examination of the product during the normal utilization

- All functions of the products with our without burden.
- Control emergency lowering device on proper function.
- Control voltage index on proper function.

3. Control of the electrical situation of the product.

- Control cable bushing.
- Control connection and plug.
- Control controller unit.

4. Control of the mechanic condition of the product

- Remove dirt and other uncleanliness.
- Maintenance and assessment of the vital parts of the product.
- Lubricate the product.

5. Point 2: repeat control, that everything is working properly.

- Were there new problems in Point 5.
- If new problems emerge, go back to point 2.
- If no problems were discovered; you can finish the Attendance.

5.4 Error search

1. Is the connector from the electric power supply put into the outlet?
 - Put the connector into the outlet.
2. Is the outlet switch on?
 - Turn the outlet switch on.
3. Electric power supply there? Maybe the fuse is damaged?
 - Control the fuses and exchange them if necessary.
4. Is the emergency connection on?
 - Release/ disconnect the emergency connection through turning the button until it jumps out.
5. The platform can't drive upwards but not downwards?
 - Remove impurities on the security band. Control the security band if there are other obstacles.
6. Is the connector connection between the electric power supply and the platform made?
 - Put the connector on.

Call the company *Lehner Lifttechnik*, if you can not solve the above mentioned defects.

6. Technical data

Platform Typ 1

maximum height of stroke.....	600 mm
load capacity	180 kg
lifting speed	10 mm/s
minimum height (headroom).....	110 mm
weight.....	52,5 kg
electric power supply	24 V through transformer on 230 V grid
Inside dimension (length)	1170 mm
Inside dimension (breadth)	710 mm
Outside dimension (length)	1180 mm
Outside dimension (breadth)	810 mm

Platform Typ 2

maximum height of stroke.....	830 mm
load capacity	180 kg
lifting speed.....	10 mm/s
minimum height (headroom)	120 mm
weight	71,5 kg
electric power supply	24 V through transformer on 230 V grid
inside dimension (length)	1495 mm
inside dimension (breadth)	785 mm
outside dimension (length)	1505 mm
outside dimension (breadth)	890 mm

Warranty

Warranty	1 year
----------------	--------

In many situations it is necessary to make a special adaptation of the platform, whereas the above mentioned specifications can change.