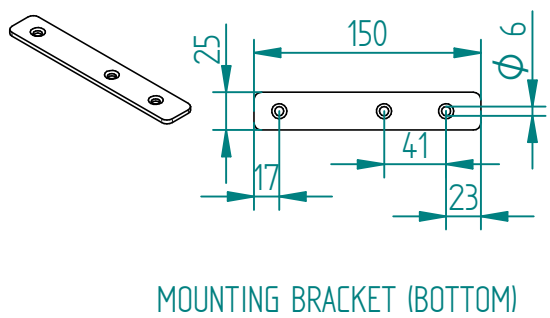
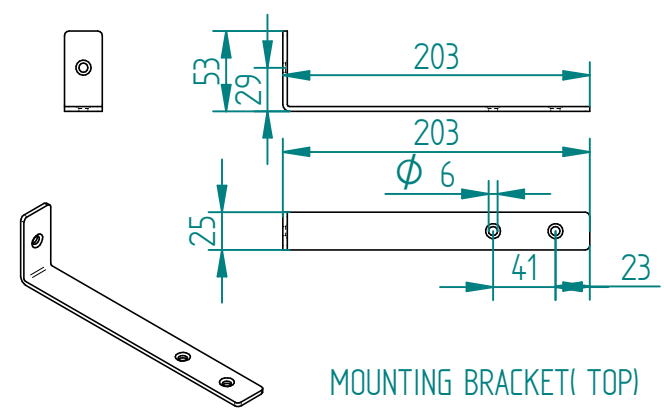
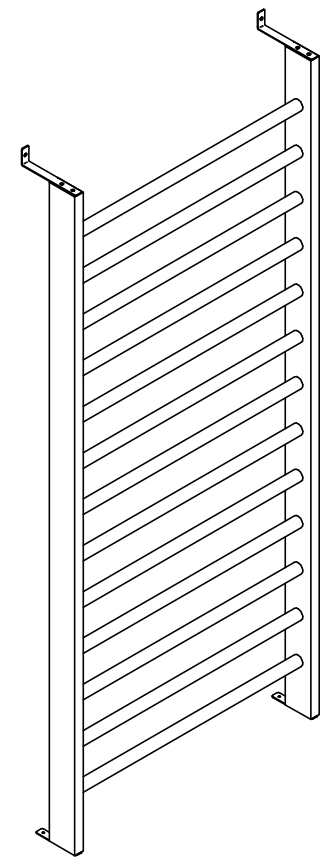
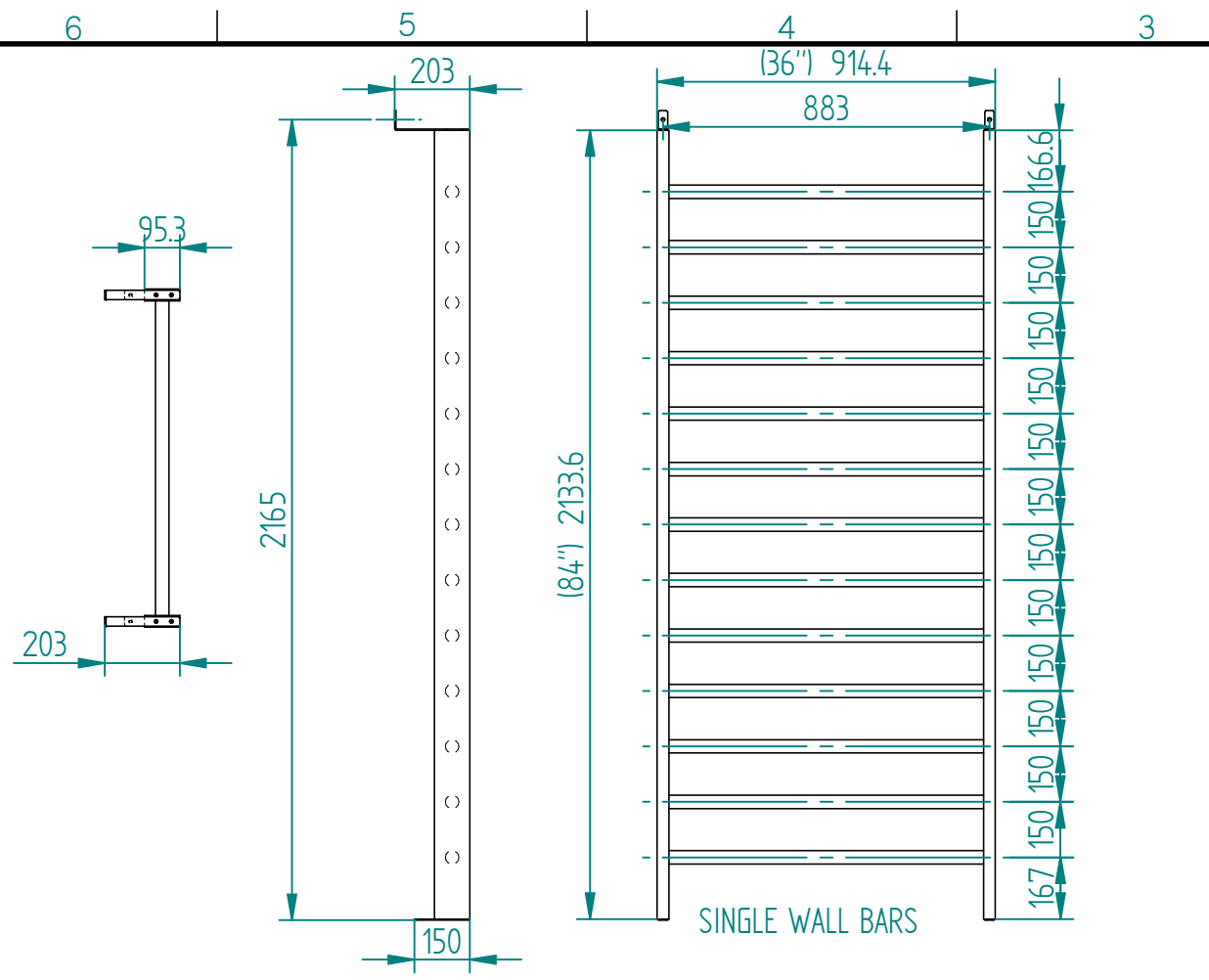



REVISION HISTORY			
REV	DESCRIPTION	DATE	APPROVED
-	-	--	-



ESTIMATED PULL-OUT LOAD ON EACH BOLT- 42 KG

DRAWN	Vel	15-10-2010	 <b>ALPHAMED</b> THE SPECIALIST IN HOSPITAL EQUIPMENT
CHECKED	Mr. Gan	15-10-2010	
ENG APPR	Min	15-10-2010	
MGR APPR	Mr. Gan	15-10-2010	
TITLE			SINGLE SECTION WALL BARS W36" x 84"
UNLESS OTHERWISE SPECIFIED DIMENSIONS ARE IN MILLIMETERS			SIZE: A4 DWG NO: 22-072-1000-3672-BOM10
THIS DOCUMENT IS PUBLISHED UNDER SOLE PROPRIETY OF ALPHAMED PTE LTD AND THAT MAY ANY DUPLICATION IN PART OR PRINT SHOULD BE DONE WITH PRIOR WRITTEN PERMISSION OF ALPHAMED PTE LTD.			REV: 0
FILE NAME: 22-072-10000-3684-BOM10.DFT			SCALE: WEIGHT: SHEET 3 OF 3