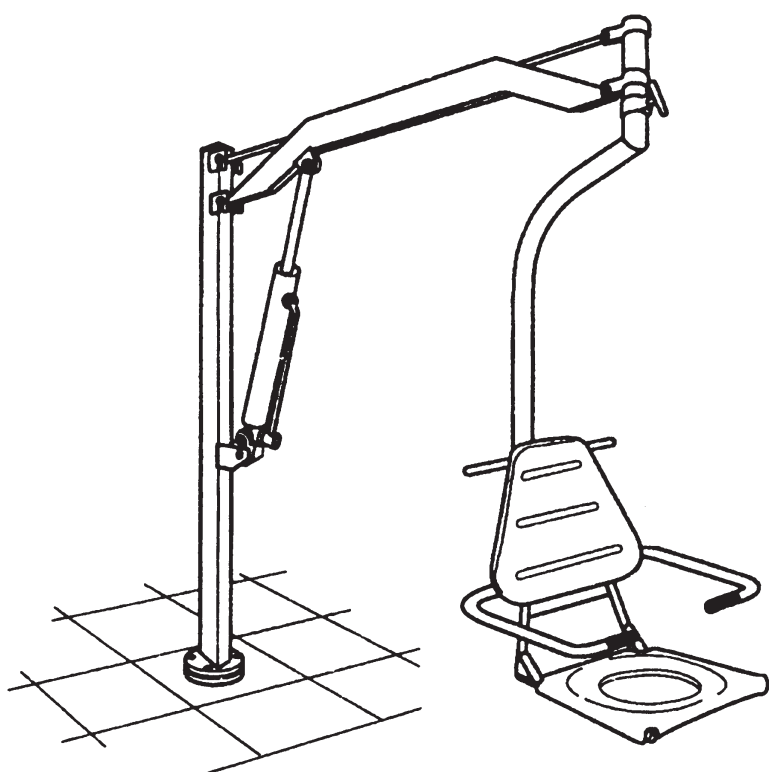
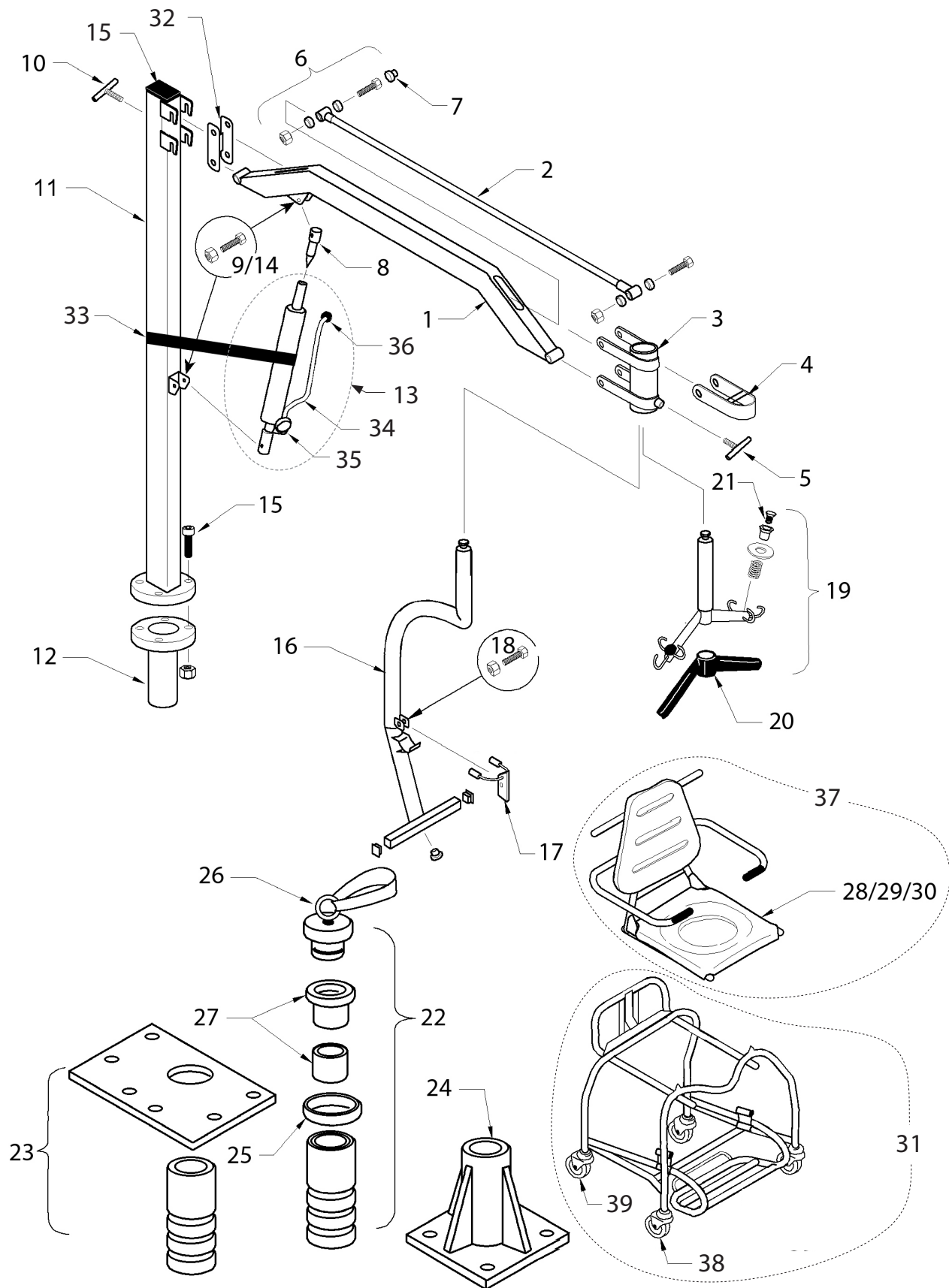


# Parts Manual

## Oxford® Dipper 140



NO	PART NUMBER	DESCRIPTION	QTY	SERIAL NO.
1	DT/1120	Boom only	1	
	DT/1120-S	Boom only (Stainless Steel Model)	1	
2	DT-1132	Link rod	1	
3	DT/1173	Chair support socket	1	
4	DT/1176	Safety latch - chair support	1	
5	808003.10108	'T' bar screw (small)	Kit	
6	808003.10109	Boom fixings and fittings	Kit	
7	322-41030	10mm white plastic caps	20	
8	DT/1229	Ram extension	1	
9	808003.10110	Ram/boom fixing	Kit	
10	808003.10111	'T' bar screw (large)	Kit	
11	808003.10112	Mast only	Kit	
	808003.10112-S	Mast only (Stainless Steel Model)	Kit	
12	808003.10113	Mast pivot pin	Kit	
13	HY/3572	Dipper hydraulic unit	1	
14	808003.10115	Ram/mast fixing	Kit	
15	808003.10116	Mast fixings and fittings	Kit	
16	808388.10002	Chair support tube complete	Kit	
17	808003.10117	Safety latch (seat)	Kit	
18	808003.10118	Chair support tube fixings and fittings	Kit	
19	OP10018	Dipper spreader bar complete assembly	1	
20	EM/2993	Spreader bar cover (black)	1	
21	808003.10013	Sling retainer assembly	Kit	
22	OP10015	'A' socket complete	1	
23	OP10016	'B' socket complete	1	
24	OP10017	'C' socket complete	1	
25	DT/2434	Socket surround	1	
26	808003.10119	Socket blanking plug	Kit	
27	808003.10120	Socket bearing set	Kit	
28	808003.10074	Ranger commode seat (seat, backrest and fixings)	1	
29	OP10011	Ranger shower seat only	1	
30	808003.10086	Ranger padded commode seat (seat, backrest and fixings)	1	
31	83035	Ranger transporter complete	1	
-	750210J2	Lap strap (not shown)	1	
-	50070	Full harness (not shown)	1	
32	DT-1270	Boom carrier	1	
33	362-00030	Dipper hydraulic strap	1	
34	15026	Pump handle	1	
35	322-42040	Hand wheel	1	
36	322-14010	Hydraulic pump handle knob	1	
-	211-16915	'C' socket bolts (not shown)	1	
37	83013	Ranger seat complete (Includes lap strap)	1	
38	311-41110	100mm front castor (braked)	1	
39	311-42110	100mm rear castor	1	



NO	PART NUMBER	DESCRIPTION	QTY	SERIAL NO.
1	808003.10081	Ranger chair frame only	Kit	
2	808003.10082	Armrests complete	Kit	
3	323-11010	White hand grip	1	
4	808003.10074	Seat, backrest & fixings	1	
-	OP10011	Seat moulding - plain (shower seat) (not shown)	1	
-	808003.10086	MD padded seat complete (not shown)	Kit	
5	808003.10157	Securing hook complete	Kit	
6	808003.10087	Ranger seat fixings & trims	Kit	
7	DT/0201	Transporter frame only	1	
8	808003.10083	Transporter safety latch	Kit	
9	311-41110	100mm front castor (braked)	1	
10	311-42110	100mm rear castor	1	
11	DT/2183	Foot rest bush	8	
-	808003.10158	Transporter fixing & fittings kit (not shown)	Kit	
-	83042	Bed pan (not shown)	1	
12	OP10010	Bed pan cradle	1	
13	83013	Ranger seat complete (Includes lap strap)	Kit	
14	83035	Ranger Transporter complete	Kit	
-	750210J2	Lap strap (not shown)	1	
-	50070	Full harness (not shown)	1	

