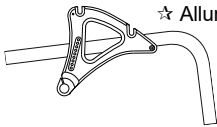
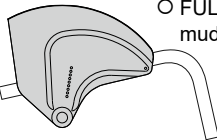
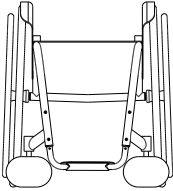
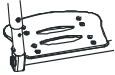
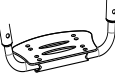

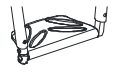
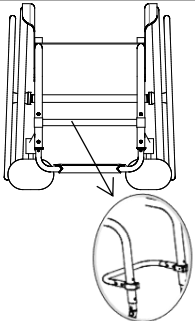


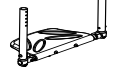


Date User End user weight (kg) Language user manual	Progeo (English) Company stamp	Rigid frame wheelchair CRASH TEST APPROVED
Responsible		

Wheelchair measures							
Seat width (LS)	<input type="checkbox"/> 33	<input type="checkbox"/> 36	<input type="checkbox"/> 39	<input type="checkbox"/> 42	<input type="checkbox"/> 45	<input type="checkbox"/> 48	
Seat depth (PS)	<input type="checkbox"/> 35	<input type="checkbox"/> 37,5	<input type="checkbox"/> 40	<input type="checkbox"/> 42,5	<input type="checkbox"/> 45	<input type="checkbox"/> 47,5	<input type="checkbox"/> 50
The real seat depth, from the front part of the seat cloth to the backrest tube will be 1,5 cm more than the declared one.							
Footplate distance (DP) (cm) ±0.5cm - adjustment steps 1.5cm						
(Real distance between seat and footplate) - IMPORTANT NOTICE! From the footplate to the floor minimum 4cm !! (Minimum Front height = DP + 4cm.)							
Setting	★ Standard		<input type="checkbox"/> Prudential	<input type="checkbox"/> Active	<input type="checkbox"/> Extreme		
Backrest Height (TS)	Std.Value 33,5(min 26-max 47) adjustment steps 1.5cm						
camber	★ 0°		<input type="checkbox"/> 2°	<input type="checkbox"/> 4°			
Front height STD 49			Rear height STD 42		

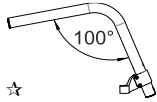
	☆ Alluminum rear adjustment plate ☆ Removable mudguard ABS <input type="checkbox"/> Removable ABS fibre straight sideguard <input type="radio"/> Removable carbon fibre mudguard 03946 <input type="radio"/> Removable Carbon fibre straight sideguard 08918
	<input type="radio"/> FULL CARBON rear adjustment plate with integrated mudguard 07646 ☆ Version mudguard (Available only with rear wheels 24") <input type="checkbox"/> Version straight sideguard

JOKER		<input type="checkbox"/> Aluminium footplate, rake adjustable Minimum footplate distance 35cm. ☆ Internal <input type="checkbox"/> 2/3 Internal <input type="checkbox"/> External <input type="checkbox"/> 2/3 External 11523 <input type="checkbox"/> Aluminium footplate EVOLUTION - rake and depth adjustable Minimum footplate distance 35cm. ☆ Internal <input type="checkbox"/> 2/3 Internal 07649 <input type="checkbox"/> External <input type="checkbox"/> 2/3 External <input type="checkbox"/> One piece Carbon fibre footplate JOKER Minimum footplate distance 35cm. not available for seat width 48 03348 <input type="checkbox"/> One piece Carbon fibre footplate, rake adjustable Minimum footplate distance 35cm. ☆ Internal <input type="checkbox"/> External 03346	   
JOKER ZERO		<input type="checkbox"/> Plastic footrest, rake adjustable Minimum footplate distance 15cm. ☆ 2/3 Internal <input type="checkbox"/> 2/3 External 06814 <input type="checkbox"/> One piece aluminium footplate - Flip-up!, rake and depth adjustable Minimum footplate distance 15cm. ☆ Internal <input type="checkbox"/> 2/3 Internal 06856 <input type="checkbox"/> External <input type="checkbox"/> 2/3 External <input type="checkbox"/> One piece Carbon fibre footplate rake adjustable, swing away, flip-up. Minimum footplate distance 15cm. ☆ Internal <input type="checkbox"/> External 06857	  

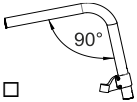
Date Order User Address

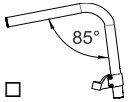
Front frame

☆ Aluminium standard frame



☆





(max 4" caster)

Colour aluminium frame

☆ Bright silver

Polished black

Opaque black

Bright blue

Bright anthracite

Bright orange

Bright fuchsia

Bright red

Bright lime

Bright blue china

Pearl white

Seat

☆ Seat cloth with pocket (under seat)

Seat with tension straps 08883

Carbon rigid seat 08336

Pocket (under seat) [25x11x4,5] 08281

Rear wheels axle

☆ Aluminum rear wheels axle

Carbon fiber rear wheels axle (Lightest configuration) 07647

Backrest adjustment and fixing system

☆ Backrest with double locking (upright and folded)
with rake adjustable from -4° to +16°

Backrest with upright locking system ONLY (no locking when folded)
with rake adjustable from -4° to +16°

Fixed back(non-folding back)
with rake adjustable from -4° to +16°

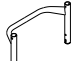
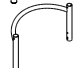

Backrest

☆ Adjustable velcro straps and padded transpiring upholstery

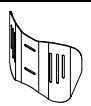
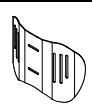

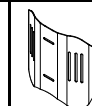
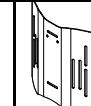
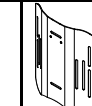
☆ Aluminium backrest

Titanium backrest 06811

Carbon fibre backrest 04389

AIR Integrated posture backrest (NOT REMOVABLE)
Carbon shell - Lateral retaining 7,5cm
Depth adjustment ±1cm. - Angle adjustment ±10°
not available for seat width 48

H 28	H 34	H 40			
Backrest Height (TS) min 34 (.....)	Backrest Height (TS) min 38 (.....)	Backrest Height (TS) min 44 (.....)			
Lateral retaining wing A=high - R=regular					
A	R	A	R	A	R
 <input type="checkbox"/>	 <input type="checkbox"/>	 <input type="checkbox"/>	 <input type="checkbox"/>	 <input type="checkbox"/>	 <input type="checkbox"/>




Installation on:

☆ Backrest tubes

Aluminium backrest

Titanium backrest 06811

Carbon fibre backrest 04389

Date	Order	User	Address
------------	-------------	------------	---------------

Handle tube


☆ Tubes with standard handle

Tubes with short handle

SPORT tubes Without push handles

Carbon fibre tubes with short handle (Lightest configuration) 04390

Not available with: Posture backrest PHYSIO - Posture backrest A I R

Folding handles  02958

Casters

☆ 4" Soft

3" Sport (Lightest configuration)

5" Soft

6" Soft (Available only with 100° angle)

6" Pneumatic (Available only with 100° angle)

3" Active Soft (wide) (Aluminium alloy rim) 06824

4" Active Sport (narrow) (Aluminium alloy rim) 01398

4" Active Soft (wide) (Aluminium alloy rim) 03943

5" Active Soft (wide) (Aluminium alloy rim) 07518

5" Pneumatic 10844

Colour set: Rear wheels and forks - To be matched only with: Rear wheels Ultra-light Progeo - Standard! (22 - 24)

☆ Black 22" 24" 25" 26"

Bright silver 22" 24" 00833

Bright anthracite 24" 00833

Bright orange 22" 24" 00833

Bright fuchsia 22" 24" 00833

Bright blue 22" 24" 00833

Bright red 22" 24" 00833

Bright lime 22" 24" 00833

Pearl white 22" 24" 00833

Rear wheels

☆ 24" Ultra-light Progeo - Standard!

22" Ultra-light Progeo - Standard!

25" Ultra-light Progeo - Standard! (colour: black)

26" Progeo - Standard! (colour: black)

24" ULTRA-LIGHT PROGEO KEY SPORT Weight reduction approx. 450gr. 04383

24" Ultra-light "Spinergy LX" 01685

24" Ultra-light "Spinergy LXL" Black hub and white spokes Hub and spokes black 07846

24" Ultra-light "Spinergy Flex rim" Integrated aluminium/rubber handrim 02270

25" Ultra-light "Spinergy LX" 02101

25" Ultra-light "Spinergy LXL" Black hub and white spokes 07847

26" Ultra-light "Spinergy LX" 02102

24" Off-road (aluminium handrim black) 01392

Rear wheel tyre

☆ High pressure tyre (22"-24"-25"-26") (Lightest configuration)

High pressure profile tyre (24")

Marathon Plus (24"-25") with anti-puncture protection 01669

Anti-puncture - Colour Grey (22") 04181

Anti-puncture - Colour Black (24") 11083

Handrim	Wheel distance ☆ 3 cm	□ 4 cm	
☆ Aluminium	(22"-24"-25"-26")	(Lightest configuration)	
<input type="radio"/> Aluminium black SOFT-TOUCH	(24"-25")	(24" handrim, on 25" wheel is installed with spacers)	09170
<input type="radio"/> Chromed Steel	(24"-25")	(24" handrim, on 25" wheel is installed with spacers)	01684
<input type="radio"/> Titanium	(24"-25")	(24" handrim, on 25" wheel is installed with spacers)	00016
<input type="radio"/> Ultra Grepp	(24"-25")	(24" handrim, on 25" wheel is installed with spacers)	00017
<input type="radio"/> Max Grepp	(24"-25")	(24" handrim, on 25" wheel is installed with spacers)	00834
<input type="radio"/> Ergo Para	(24")		00632
<input type="radio"/> TOP FRICTION	(24"-25")	(24" handrim, on 25" wheel is installed with spacers)	11023
Oval countour with a rubber insert			
<input type="radio"/> NOVA H	(24"-25")	(24" handrim, on 25" wheel is installed with spacers)	11025
Ergonomic black profile			
<input type="radio"/> NOVA D	(24"-25")	(24" handrim, on 25" wheel is installed with spacers)	11026
Ergonomic profile with rubber coating (ideal for quadriplegics)			
<input type="radio"/> SURGE LT	(25")	Oval countour with a rubber insert	06427
<input type="radio"/> Quad (24")	(24")		00693
<input type="radio"/> Silicon cover for standard aluminium handrim		Available for measures (22" - 24" - 26")	04050

Date Order User Address

Wheel locks

Bent lever push to lock

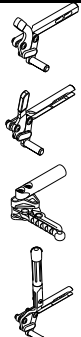
Straight lever push to lock

Straight lever pull to lock

Sport brake (Lightest configuration)

Brake with extension lever push to lock

Brake with extension lever pull to lock




06428

01949

03372

Armrests

Tubular armrests (Swing away, removable and height adjustable armrest)



00694

Accessories

Pad for front frame protectors 07058

Backrest-seat connection cloth 10241

Removable storage bag (with quick coupling) 09811

SAFETY

4 points tie-down system rings

The use of a headrest during transport is mandatory (installation must be carried out by the manufacturer)



08654

Optional 1

Only one optional devices for side can be chosen

Transit wheels Exclude the installation of Anti-tippers 03290

Anti-tipper BASE Exclude the installation of Transit wheels


Right 06819

Left 06820

Anti-tipper with rapid hookup (inside rotation to reduce the encumbrance) Exclude the installation of Transit wheels

Right 06821

Left 06822



Optional 2

Push handles for companion (Removable and height adjustable) 03645

Tetraclip (Quick release axle for quadriplegic) 03947

Safety pelvic belt 03972

Harness 04103

Lumbar support (to insert in the backrest upholstery) 00013

Swing away lateral support Not available with Posture backrest PHYSIO - Posture backrest A I R

Right 02097

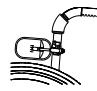
Left 02098

Spoke guards Black (22"-24") 01043

Spoke guards Transparent (22"-24") 00835

Spoke guards Progeo design (22"-24") 00019

Spoke guards Dragon (22"-24") 02106



Additional Kit

24" Off-road rear wheels Off-Road tyre - aluminium handrim (black colour) 03378


24" FAT rear wheels FAT tyre 3" - aluminium handrim (black colour) 09357

Date Order User Address


PHYSIO - Posture backrest
(Std. Backrest upholstery not provided)

Removable with quick release
Suitable for tubes with diameter 18+26mm
Depth adjustment (4cm)
Angle adjustment (±18°)

- AIR** Carbon shell
not available for seat width 48

BACKREST HEIGHT	28	34	40			
Shell's shape 	Lateral retaining wing A=high - R=regular					
	A	R	A	R	A	R
	<input type="checkbox"/>	<input type="checkbox"/>	<input type="checkbox"/>	<input type="checkbox"/>	<input type="checkbox"/>	<input type="checkbox"/>

- POSTURE** Aluminum shell

BACKREST HEIGHT	34	40	52
Shell's shape 	Lateral retaining wing B=regular		
	R	R	R
	<input type="checkbox"/>	<input type="checkbox"/>	<input type="checkbox"/>

Configuration DEEP with side support PAD (height adjustable)

- Alluminum lateral with padded, breathable upholdstery.



Small (h 13cm)



- Right 10272
- Left 10272

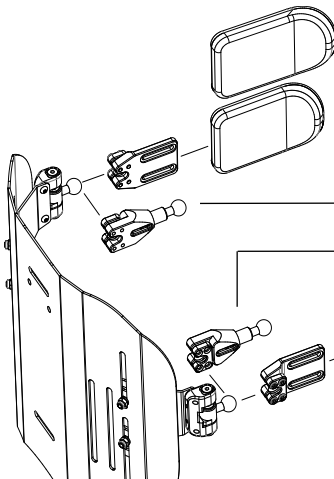
Large (h 20cm)



- Right 10273
- Left 10273

SWING AWAY - Lateral support

Fixing and adjustment hardware complete with protection sleeve
Alluminum lateral with padded, breathable upholdstery.



- Large (18x12) 05647
- Small (14x9) 05643
- Lateral support extension Quantity (number pcs) (.....) 10271
- Lateral support extension Quantity (number pcs) (.....)
- Small (14x9) 05642
- Large (18x12) 05646

- Headrest adjustable - Double ball mounting system

Available only with backrest Physio
Not available for backrest Physio AIR carbon shell



- Large (34x14) 05648
- Small (28x14)

Date	Order	User	Address
------------	-------------	------------	---------------




Note

Wheelchair : Progeo JOKER - Rev. 2023.2

Prices - VAT excluded
to be added to the price list

Send this page only if any optional have been chosen	
☆	standard <small>(supplied if no requests are indicated)</small>
□	on request <small>(without extra charge)</small>
○	optional <small>(cost to be added at the basic price)</small>

REFERENCE TABLES

1		Front height			
		With closed frame (95°) max 5" caster			
		With closed frame (90°) max 5" caster			
		With closed frame (85°) max 4" caster			
FORK		Casters			
		3"	4"	5"	6"
SPORT		max 52	max 53	max 54	
SMALL		max 54	max 55	max 56	max 57
MEDIUM		max 56	max 57	max 58	max 59

The size of the fork will be defined only by Progeo in accordance with wheelchair final configuration.

2		Rear height			
		Rear wheels			
		22"	24"	25"	26"
min	36	min 38	min 39	min 40	
max	44	max 46	max 47	max 48	

3	Footplate option	Footplate distance
	Aluminium footplate rake adjustable	min 35
	One piece Carbon fibre footplate	min 35
	One piece Carbon fibre footplate rake adjustable	min 35
	Plastic footrest, rake adjustable	min 35
	One piece aluminium footplate - Flip-up!, rake and depth adjustable	min 35
	One piece Carbon fibre footplate rake adjustable, swing away, flip-up.	min 35
IMPORTANT NOTICE! From the footplate to the floor minimum 4cm !! (Minimum Front height = DP + 4cm.)		
Calculated with the best configuration and with the footplates positioned on inside.		
NOTE! Lower footplate distances are possible only after our valuation		

4	Rear wheels	
	Model	Features
	22" Ultra-light Progeo - Standard!	(not available in anthracite color)
	24" Ultra-light Progeo - Standard!	(available for all colors)
	24" ULTRA-LIGHT PROGEO KEY SPORT	(silver hub, black rim and 16 spokes)
	24" Ultra-light "Spinergy LX"	(silver hub, black rim and spokes)
	24" Ultra-light "Spinergy LXL"	(black hub and rim, 18 white spokes) - (black hub, rim and 18 spokes)
	24" Ultra-light "Spinergy Flex rim"	(silver hub, black rim and spokes) - (integrated aluminium/rubber handrim - encumbrance reduction up to 3cm. - all tyre)
	24" Off-road	(colour: black) - (aluminium handrim - tyre Off-road)
	25" Ultra-light "Spinergy LX"	(silver hub, black rim and spokes)
	25" Ultra-light "Spinergy LXL"	(black hub and rim, 18 white spokes)
	26" Progeo - Standard!	(colour: black)
	26" Ultra-light "Spinergy LX"	(silver hub, black rim and 18 spokes)

Date	Order	User	Address
------	-------	------	---------

12" wheel - Motor 250W (750W maximum power)
14" wheel - Motor 1000W (1500W maximum power)

Color display with switcher
Maximum speed limit settable from display
5 speed levels selectable
10 display-selectable acceleration levels
Adaptive Cruise Control

Disc and electronic brake control lever
Motor brake (adjustable in 10 levels from the display)
Electronic brake with control bottom (adjustable in 10 levels from the display)
Power regain when braking

Error messages management from display (with error history)
Rear gear beeper
48V - 5.8 Ah battery Autonomy up to 25km
48V - 11.6 Ah Power plus battery Autonomy up to 50km
Battery charger 48V

Rear gear
USB port
Easle
Mudguard
Front spoiler with predisposition for FULL LED light

(Certified software)

Mototronik

10979



Handlebar

☆ STANDARD controls

☆ Thumb accelerator and Disc and electronic brake control lever (Right)

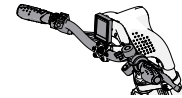
Grip throttle and Disc and electronic brake control lever

Right
 Left

10913
10914

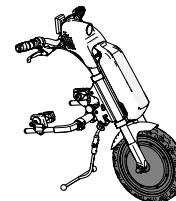
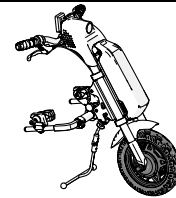
QUADRIPLÉGIC controls
Handlebar PUSH&PULL

10905



☆ **MOTOTRONIK 12" wheel**
Motor 250W (750W maximum power)
Maximum speed according to law

MOTOTRONIK 14" wheel
Motor 1000W (1500W maximum power)
Maximum speed according to law



10903

Battery

☆ 48V - 5.8 Ah battery *Autonomy up to 25 km*


48V - 11.6 Ah Power plus battery *Autonomy up to 50 km*

10904

Date Order User Address

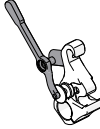
Accessories

- Handlebar extension
 Adjustable from 15cm up to 23cm



10907

- Motor unit facilitated unlock lever
 Recommended with handlebar for quadriplegic




10915

- Additional FLY 48V - 2.9 Ah battery
 Autonomy up to 15km
 Approved for air transport

10906

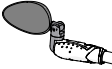
- FULL LED light (high intensity)
 Integrated in the spoiler



10908


- Rearview mirror

Right
 Left



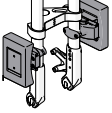
10909
10909

- Basket (removable) - (with KLICKfix® attachment system)



10912

- Removable front weight - (with KLICKfix® attachment system)
 (it increases the weight over the power wheel to improve traction)



10910

- Travel bag

10916

Note

Send this page only if any optional have been chosen	
☆	standard (supplied if no requests are indicated)
□	on request (without extra charge)
○	optional (cost to be added at the basic price)